

MCP Specification

1Gb NAND*2 + 256Mb Mobile SDRAM*2

INFORMATION IN THIS DOCUMENT IS PROVIDED IN RELATION TO SAMSUNG PRODUCTS, AND IS SUBJECT TO CHANGE WITHOUT NOTICE.

NOTHING IN THIS DOCUMENT SHALL BE CONSTRUED AS GRANTING ANY LICENSE, EXPRESS OR IMPLIED, BY ESTOPPEL OR OTHERWISE,

TO ANY INTELLECTUAL PROPERTY RIGHTS IN SAMSUNG PRODUCTS OR TECHNOLOGY. ALL INFORMATION IN THIS DOCUMENT IS PROVIDED

ON AS "AS IS" BASIS WITHOUT GUARANTEE OR WARRANTY OF ANY KIND.

1. For updates or additional information about Samsung products, contact your nearest Samsung office.
2. Samsung products are not intended for use in life support, critical care, medical, safety equipment, or similar applications where Product failure could result in loss of life or personal or physical harm, or any military or defense application, or any governmental procurement to which special terms or provisions may apply.

* Samsung Electronics reserves the right to change products or specification without notice.

Document Title**Multi-Chip Package MEMORY****1G Bit (128Mx8) Nand Flash*2 / 256M Bit (8Mx8x4Banks) Mobile SDRAM*2**

| <u>Revision No.</u> | <u>History</u> | <u>Draft Date</u> | <u>Remark</u> |
|---------------------|--|-------------------|---------------|
| 0.0 | Initial issue. - 2Gb NAND DDP M-Die_Ver 0.0 - 512Mb M-SDR DDP F-Die_Ver 1.0 | November 25, 2004 | Preliminary |
| 1.0 | <Common> - Changed operating voltage : page 3 <NAND Flash> Ver 0.2 - Changed the technical note : page 15,16 <Mobile SDRAM> Ver 1.1 - Corrected errata in capacitance value : page 44 - Finalize | May 24, 2005 | Final |

Note : For more detailed features and specifications including FAQ, please refer to Samsung's web site.
http://samsungelectronics.com/semiconductors/products/products_index.html

The attached datasheets are prepared and approved by SAMSUNG Electronics. SAMSUNG Electronics CO., LTD. reserve the right to change the specifications. SAMSUNG Electronics will evaluate and reply to your requests and questions about device. If you have any questions, please contact the SAMSUNG branch office near you.

Multi-Chip Package MEMORY

1G Bit (128Mx8) Nand Flash*2 / 256M Bit (8Mx8x4Banks) Mobile SDRAM*2

FEATURES

<Common>

- Operating Temperature : -25°C ~ 85°C
- Package : 107-ball FBGA Type - 12x14mm, 0.8mm pitch

<NAND>

- Power Supply Voltage : 2.5~2.9V
- Organization
 - Memory Cell Array : (256M + 8,192K)bits x 8bits
 - Data Register : (512 + 16)bits x 8bits
- Automatic Program and Erase
 - Page Program : (512 + 16)bits x 8bits
 - Block Erase : (16K + 512)Bytes
- Page Read Operation
 - Page Size : (512 + 16)Bytes
 - Random Access : 15µs(Max.)
 - Serial Page Access : 50ns(Min.)
- Fast Write Cycle Time
 - Program time : 200µs(Typ.)
 - Block Erase Time : 2ms(Typ.)
- Command/Address/Data Multiplexed I/O Port
- Hardware Data Protection
 - Program/Erase Lockout During Power Transitions
- Reliable CMOS Floating-Gate Technology
 - Endurance : 100K Program/Erase Cycles
 - Data Retention : 10 Years
- Command Register Operation
- Intelligent Copy-Back
- Unique ID for Copyright Protection

<Mobile SDRAM>

- Power Supply Voltage : 1.7~1.95V
- LVCMOS compatible with multiplexed address.
- Four banks operation.
- MRS cycle with address key programs.
 - CAS latency (1, 2 & 3).
 - Burst length (1, 2, 4, 8 & Full page).
 - Burst type (Sequential & Interleave).
- EMRS cycle with address key programs.
- All inputs are sampled at the positive going edge of the system clock.
- Burst read single-bit write operation.
- Special Function Support.
 - PASR (Partial Array Self Refresh).
 - Internal TCSR (Temperature Compensated Self Refresh)
 - DS (Driver Strength)
- DQM for masking.
- Auto refresh.
- 64ms refresh period (8K cycle).
- 1/CS Support.

Address configuration

| Organization | Bank | Row | Column Address |
|--------------|---------|----------|----------------|
| 32M x16 | BA0,BA1 | A0 - A12 | A0 - A9 |

GENERAL DESCRIPTION

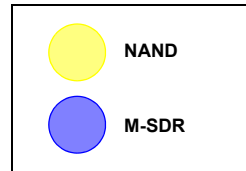
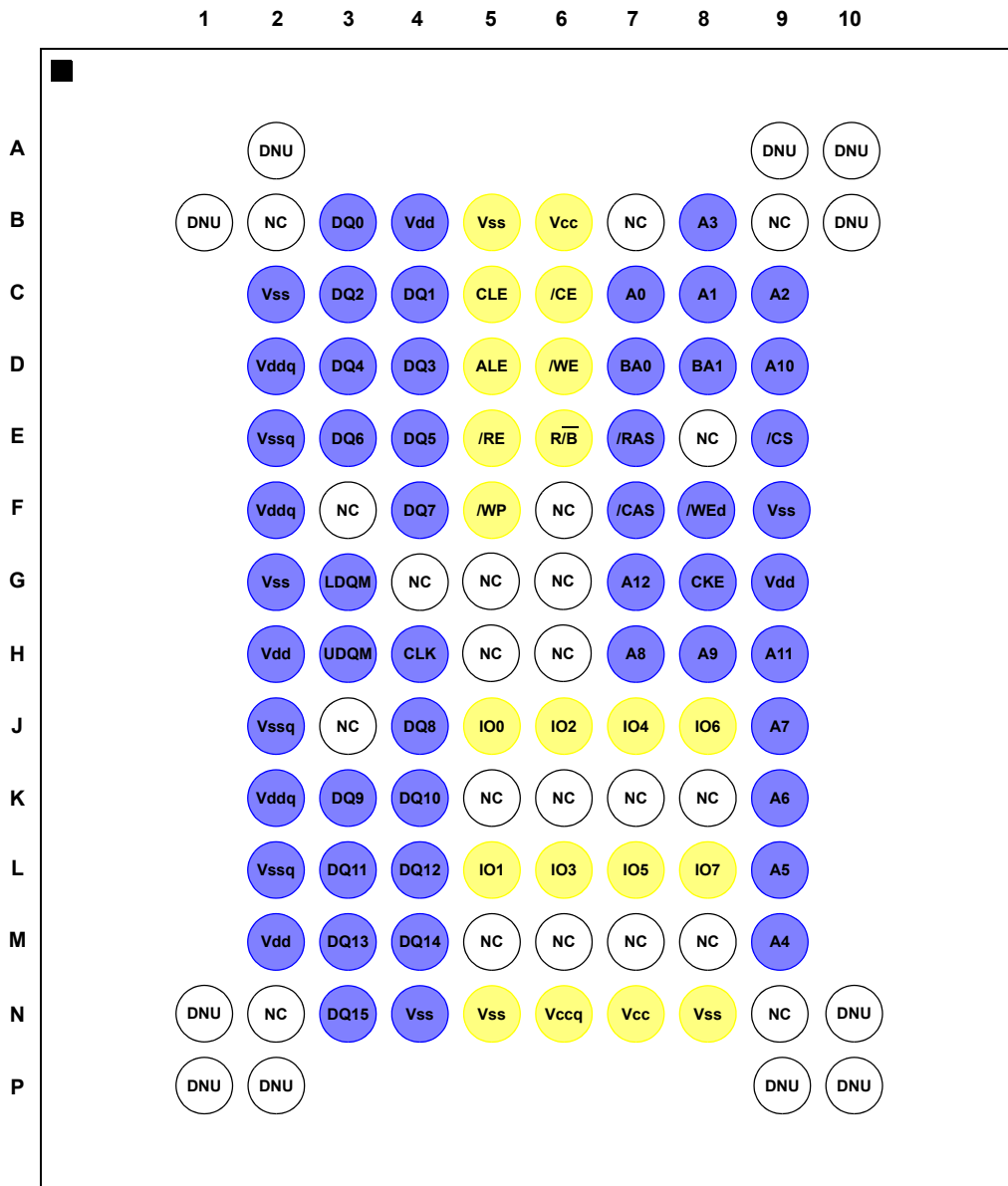
The KBE00S003M is a Multi Chip Package Memory which combines 2Gbit Nand Flash Memory(organized with two pieces of 1G bit Nand Flash Memory) and 512Mbit synchronous high data rate Dynamic RAM.(organized with two pieces of 256Mbit Mobile SDRAM) 2Gbit NAND Flash memory is organized as 256M x8 bits and 512Mbit SDRAM is organized as 8M x16 bits x4 banks.

In 2Gbit NAND Flash, Its NAND cell provides the most cost-effective solution for the solid state mass storage market. A program operation can be performed in typical 200µs on the 528-bytes and an erase operation can be performed in typical 2ms on a 16K-bytes block. Data in the page can be read out at 50ns cycle time per byte. The I/O pins serve as the ports for address and data input/output as well as command input. The on-chip write control automates all program and erase functions including pulse repetition, where required, and internal verification and margining of data. Even the write-intensive systems can take advantage of the extended reliability of 100K program/erase cycles by providing ECC(Error Correcting Code) with real time mapping-out algorithm. This device is an optimum solution for large nonvolatile storage applications such as solid state file storage and other portable applications requiring non-volatility.

In 512Mbit SDRAM, Synchronous design make a device controlled precisely with the use of system clock and I/O transactions are possible on every clock cycle. Range of operating frequencies, programmable burst length and programmable latencies allow the same device to be useful for a variety of high bandwidth, high performance memory system applications.

The KBE00S003M is suitable for use in data memory of mobile communication system to reduce not only mount area but also power consumption. This device is available in 107-ball FBGA Type.

PIN CONFIGURATION



107 FBGA: Top View (Ball Down)

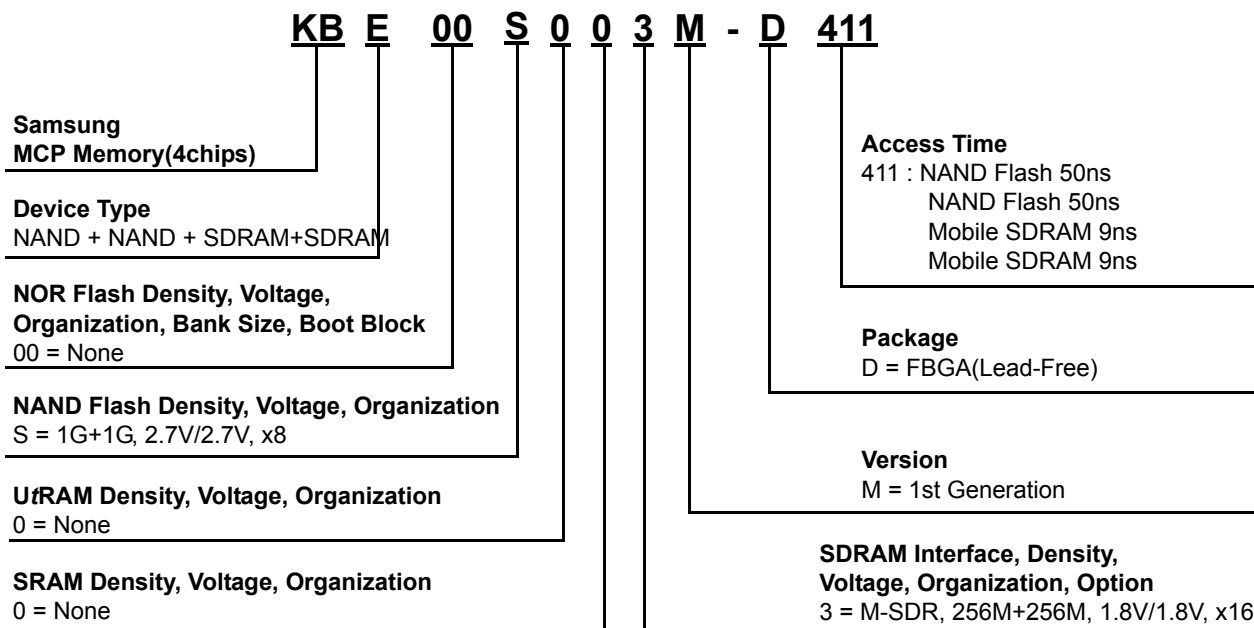
PIN DESCRIPTION

| Pin Name | Pin Function(Mobile SDRAM) |
|------------------|------------------------------|
| CLK | System Clock |
| CKE | Clock Enable |
| /CS | Chip Select |
| /RAS | Row Address Strobe |
| /CAS | Column Address Strobe |
| /WE _d | Write Enable |
| A0 ~ A12 | Address Input |
| BA0 ~ BA1 | Bank Address Input |
| LDQM | Lower Input/Output Data Mask |
| UDQM | Upper Input/Output Data Mask |
| DQ0 ~ DQ15 | Data Input/Output |
| V _{dd} | Power Supply |
| V _{ddq} | Data Out Power |
| V _{ss} | Ground |
| V _{ssq} | DQ Ground |

| Pin Name | Pin Function(NAND Flash) |
|------------------|---|
| /CE | Chip Enable |
| /RE | Read Enable |
| /WP | Write Protection |
| /WE | Write Enable |
| ALE | Address Latch Enable |
| CLE | Command Latch Enable |
| R _B | Ready/Busy Output |
| IO0 ~ IO7 | Data Input/Output |
| V _{cc} | Power Supply |
| V _{ccq} | Data Out Power(It should be biased to V _{cc}) |
| V _{ss} | Ground |

| Pin Name | Pin Function |
|----------|---------------|
| NC | No Connection |
| DNU | Do Not Use |

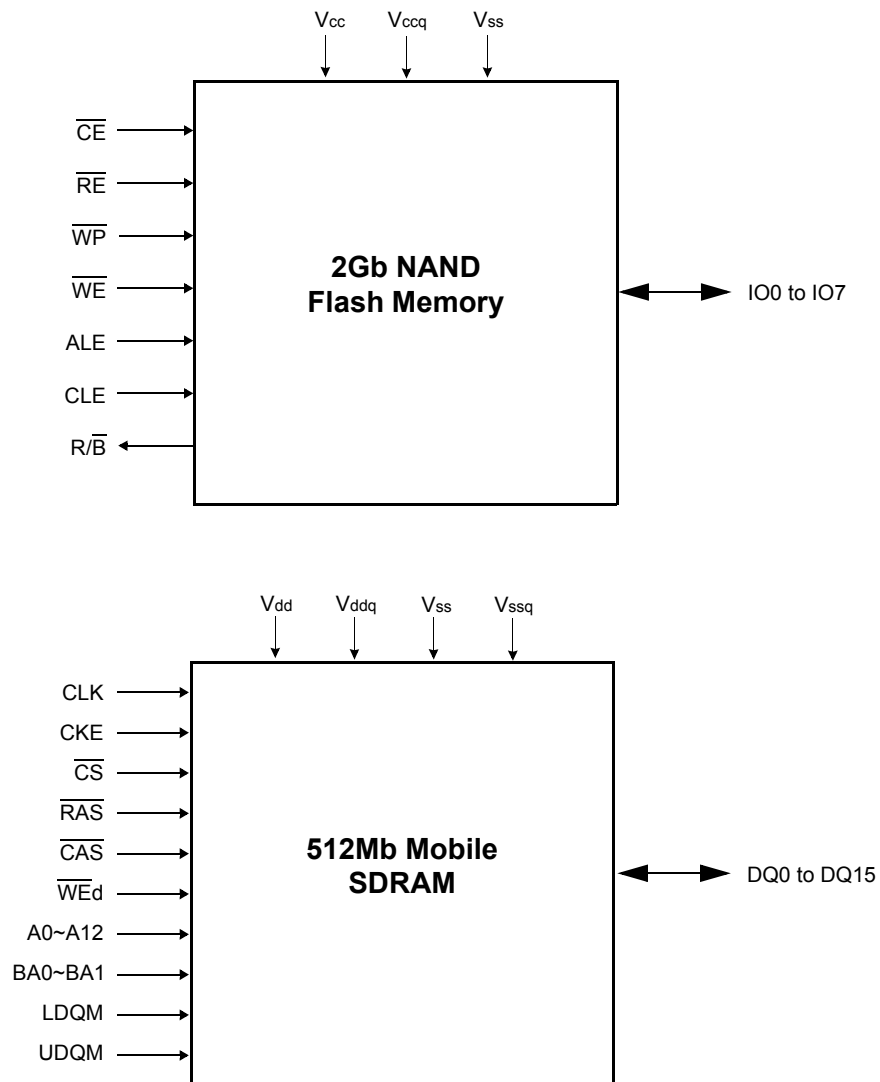
ORDERING INFORMATION



NOTE :

1. Samsung are not designed or manufactured for use in a device or system that is used under circumstance in which human life is potentially at stake. Please contact to the memory marketing team in samsung electronics when considering the use of a product contained herein for any specific purpose, such as medical, aerospace, nuclear, military, vehicular or undersea repeater use.

FUNCTIONAL BLOCK DIAGRAM



2Gb(256Mb x 8)
NAND Flash DDP M-Die

PIN DESCRIPTION

| Pin Name | Pin Function |
|-------------------------------------|---|
| I/O ₀ ~ I/O ₇ | DATA INPUTS/OUTPUTS The I/O pins are used to input command, address and data, and to output data during read operations. The I/O pins float to high-z when the chip is deselected or when the outputs are disabled. |
| CLE | COMMAND LATCH ENABLE The CLE input controls the activating path for commands sent to the command register. When active high, commands are latched into the command register through the I/O ports on the rising edge of the WE signal. |
| ALE | ADDRESS LATCH ENABLE The ALE input controls the activating path for address to the internal address registers. Addresses are latched on the rising edge of WE with ALE high. |
| \overline{CE} | CHIP ENABLE The \overline{CE} input is the device selection control. When the device is in the Busy state, \overline{CE} high is ignored, and the device does not return to standby mode in program or erase operation. Regarding \overline{CE} control during read operation, refer to 'Page read' section of Device operation . |
| \overline{RE} | READ ENABLE The \overline{RE} input is the serial data-out control, and when active drives the data onto the I/O bus. Data is valid tREA after the falling edge of \overline{RE} which also increments the internal column address counter by one. |
| \overline{WE} | WRITE ENABLE The \overline{WE} input controls writes to the I/O port. Commands, address and data are latched on the rising edge of the WE pulse. |
| \overline{WP} | WRITE PROTECT The \overline{WP} pin provides inadvertent write/erase protection during power transitions. The internal high voltage generator is reset when the \overline{WP} pin is active low. |
| R/B | READY/BUSY OUTPUT The R/B output indicates the status of the device operation. When low, it indicates that a program, erase or random read operation is in process and returns to high state upon completion. It is an open drain output and does not float to high-z condition when the chip is deselected or when outputs are disabled. |
| VccQ | OUTPUT BUFFER POWER VccQ is the power supply for Output Buffer. VccQ is internally connected to Vcc, thus should be biased to Vcc. |
| Vcc | POWER Vcc is the power supply for device. |
| Vss | GROUND |
| N.C | NO CONNECTION Lead is not internally connected. |
| DNU | DO NOT USE Leave it disconnected. |

NOTE : Connect all Vcc and Vss pins of each device to common power supply outputs.

Do not leave Vcc or Vss disconnected.

Figure 1. FUNCTIONAL BLOCK DIAGRAM

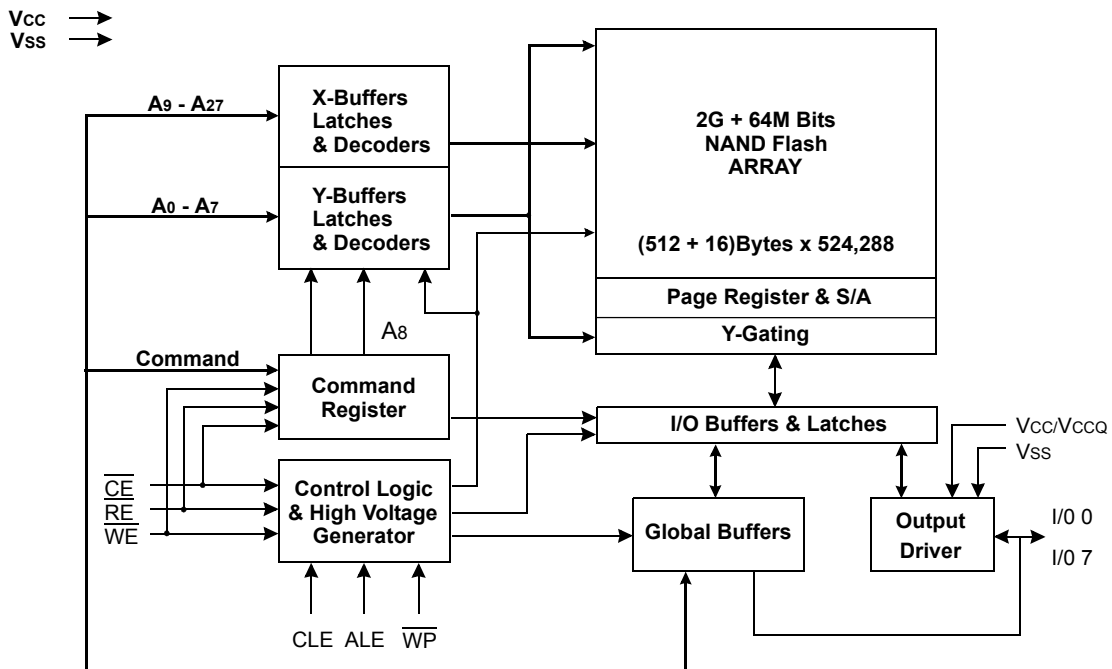
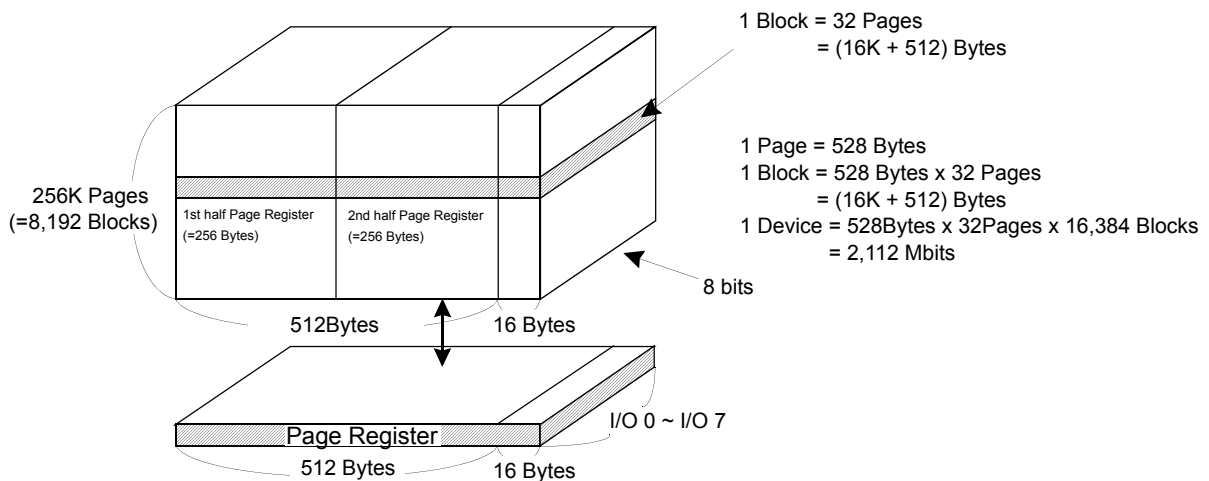


Figure 2. ARRAY ORGANIZATION



| | I/O 0 | I/O 1 | I/O 2 | I/O 3 | I/O 4 | I/O 5 | I/O 6 | I/O 7 |
|-----------|-------|-------|-------|-------|-------|-------|-------|-------|
| 1st Cycle | A0 | A1 | A2 | A3 | A4 | A5 | A6 | A7 |
| 2nd Cycle | A9 | A10 | A11 | A12 | A13 | A14 | A15 | A16 |
| 3rd Cycle | A17 | A18 | A19 | A20 | A21 | A22 | A23 | A24 |
| 4th Cycle | A25 | A26 | A27 | *L | *L | *L | *L | *L |

Column Address
Row Address
(Page Address)

NOTE : Column Address : Starting Address of the Register.

00h Command(Read) : Defines the starting address of the 1st half of the register.

01h Command(Read) : Defines the starting address of the 2nd half of the register.

* A8 is set to "Low" or "High" by the 00h or 01h Command.

* L must be set to "Low".

* The device ignores any additional input of address cycles than required.

Product Introduction

This device is a 2,112Mbits(2,214,592,512 bits) memory organized as 524,288 rows(pages) by 528 columns. Spare sixteen columns are located from column address of 512 to 527. A 528-bytes data register is connected to memory cell arrays accommodating data transfer between the I/O buffers and memory during page read and page program operations. The memory array is made up of 16 cells that are serially connected to form a NAND structure. Each of the 16 cells resides in a different page. A block consists of the 32 pages formed two NAND structures. A NAND structure consists of 16 cells. Total 1,056 NAND structures reside in a block. The array organization is shown in Figure 2. The program and read operations are executed on a page basis, while the erase operation is executed on a block basis. The memory array consists of 16,384 separately erasable 16K-bytes blocks. It indicates that the bit by bit erase operation is prohibited on this device.

This device has addresses multiplexed into 8 I/O's. This scheme dramatically reduces pin counts and allows systems upgrades to future densities by maintaining consistency in system board design. Command, address and data are all written through I/O's by bringing \overline{WE} to low while \overline{CE} is low. Data is latched on the rising edge of \overline{WE} . Command Latch Enable(CLE) and Address Latch Enable(ALE) are used to multiplex command and address respectively, via the I/O pins. The 256M byte physical space requires 28 addresses, thereby requiring four cycles for byte-level addressing : 1 cycle of column address, 3 cycles of row address, in that order. Page Read and Page Program need the same four address cycles following the required command input. In Block Erase operation, however, only the 3 cycles of row address are used. Device operations are selected by writing specific commands into the command register. Table 1 defines the specific commands of this device.

The device provides simultaneous program/erase capability up to four pages/blocks. By dividing the memory array into eight 256Mbit separate planes, simultaneous multi-plane operation dramatically increases program/erase performance by 4X while still maintaining the conventional 512 bytes structure. The extended pass/fail status for multi-plane program/erase allows system software to quickly identify the failing page/block out of selected multiple pages/blocks. Usage of multi-plane operations will be described further throughout this document.

In addition to the enhanced architecture and interface, the device incorporates copy-back program feature from one page to another of the same plane without the need for transporting the data to and from the external buffer memory. Since the time-consuming burst-reading and data-input cycles are removed, system performance for solid-state disk application is significantly increased.

The device includes one block sized OTP(One Time Programmable), which can be used to increase system security or to provide identification capabilities. Detailed information can be obtained by contact with Samsung.

Table 1. Command Sets

| Function | 1'st Cycle | 2'nd Cycle | 3'rd Cycle | 4'th Cycle | 5'th Cycle | Acceptable Command during Busy |
|---|------------------------|------------|------------|------------|------------|--------------------------------|
| Read 1 | 00h/01h ⁽¹⁾ | - | - | - | - | |
| Read 2 | 50h | - | - | - | - | |
| Read ID | 90h/91h | - | - | - | - | |
| Reset | FFh | - | - | - | - | O |
| Page Program (True) ⁽²⁾ | 80h | 10h | - | - | - | |
| Page Program (Dummy) ⁽²⁾ | 80h | 11h | - | - | - | |
| Copy-Back Program(True) ⁽²⁾ | 00h | 8Ah | 10h | - | - | |
| Copy-Back Program(Dummy) ⁽²⁾ | 03h | 8Ah | 11h | - | - | |
| Block Erase | 60h | D0h | - | - | - | |
| Multi-Plane Block Erase | 60h---60h | D0h | - | - | - | |
| Read Status | 70h | - | - | - | - | O |
| Read Multi-Plane Status | 71h ⁽³⁾ | - | - | - | - | O |

NOTE : 1. The 00h/01h command defines starting address of the 1st/2nd half of registers.

After data access on the 2nd half of register by the 01h command, the status pointer is automatically moved to the 1st half register(00h) on the next cycle.

2. Page Program(True) and Copy-Back Program(True) are available on 1 plane operation.

Page Program(Dummy) and Copy-Back Program(Dummy) are available on the 2nd, 3rd, 4th plane of multi-plane operation.

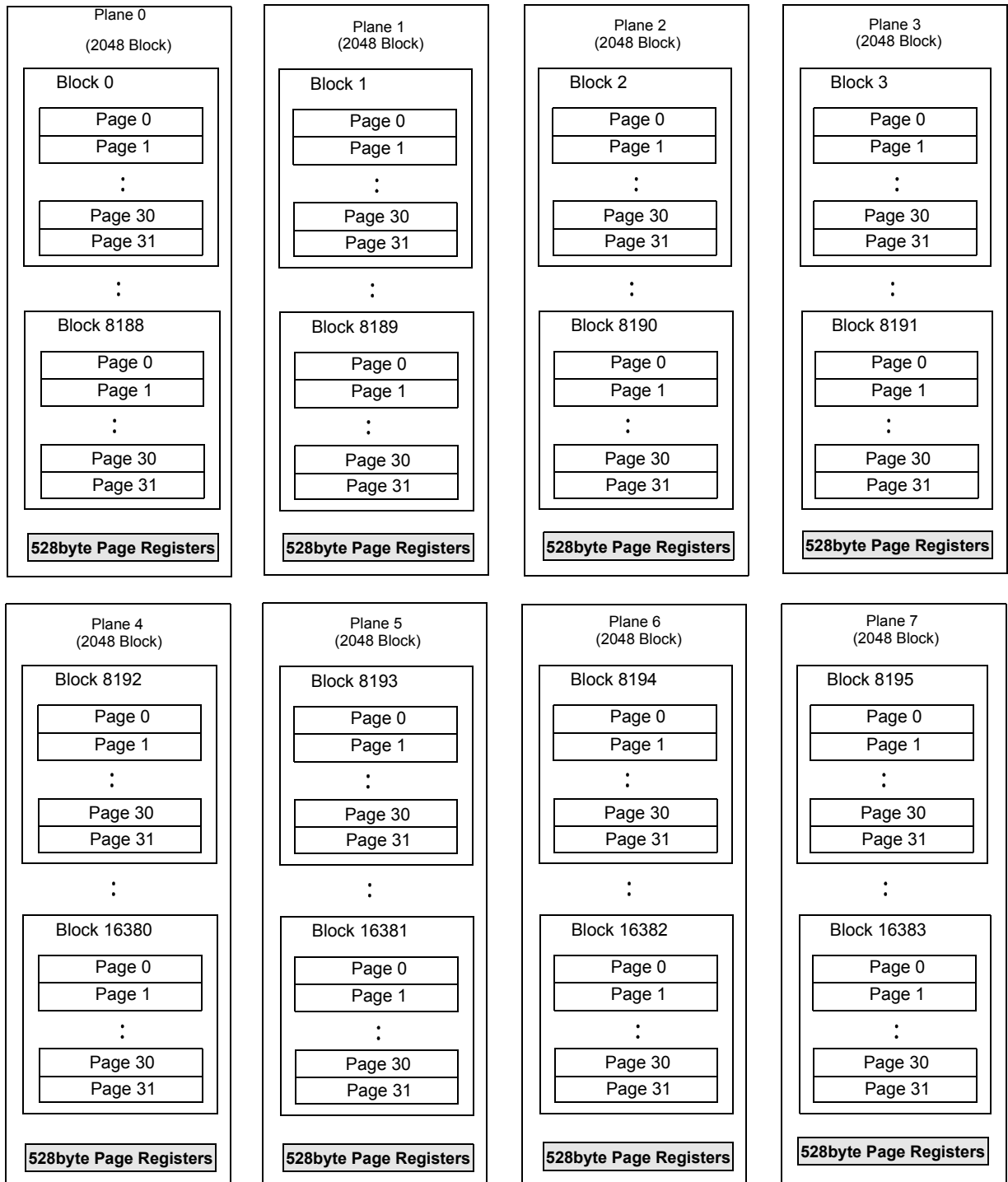
3. The 71h command should be used for read status of Multi Plane operation.

Caution : Any undefined command inputs are prohibited except for above command set of Table 1.

Memory Map

The device is arranged in eight 256Mbit memory planes. Each plane contains 2,048 blocks and 528 byte page registers. This allows it to perform simultaneous page program and block erase by selecting one page or block from each plane. The block address map is configured so that multi-plane program/erase operations can be executed for every four sequential blocks by dividing the memory array into plane 0~3 or plane 4~7 separately. For example, multi-plane program/erase operations into plane 2,3,4 and 5 are prohibited.

Figure 3. Memory Array Map



ABSOLUTE MAXIMUM RATINGS

| Parameter | Symbol | Rating | Unit |
|------------------------------------|----------------------|--------------|------|
| Voltage on any pin relative to VSS | V _{IN/OUT} | -0.6 to +4.6 | V |
| | V _{CC/VCCQ} | -0.6 to +4.6 | |
| Temperature Under Bias | T _{BIAS} | -40 to +125 | °C |
| Storage Temperature | T _{STG} | -65 to +150 | °C |
| Short Circuit Current | I _{OS} | 5 | mA |

NOTE :

- Minimum DC voltage is -0.6V on input/output pins. During transitions, this level may undershoot to -2.0V for periods <30ns.
Maximum DC voltage on input/output pins is V_{CC}+0.3V which, during transitions, may overshoot to V_{CC}+2.0V for periods <20ns.
- Permanent device damage may occur if ABSOLUTE MAXIMUM RATINGS are exceeded. Functional operation should be restricted to the conditions as detailed in the operational sections of this data sheet. Exposure to absolute maximum rating conditions for extended periods may affect reliability.

RECOMMENDED OPERATING CONDITIONS(Voltage reference to GND , T_A=-25 to 85°C)

| Parameter | Symbol | Min | Typ. | Max | Unit |
|----------------|------------------|-----|------|-----|------|
| Supply Voltage | V _{CC} | 2.5 | 2.7 | 2.9 | V |
| | V _{CCQ} | 2.5 | 2.7 | 2.9 | V |
| | V _{SS} | 0 | 0 | 0 | V |

DC AND OPERATING CHARACTERISTICS (Recommended operating conditions otherwise noted.)

| Parameter | Symbol | Test Conditions | Min | Typ | Max | Unit | |
|-------------------------------|-----------------------|--|---|-----|-----------------------|------|----|
| Operating Current | Sequential Read | I _{CC1} | t _{RC} =50ns, $\overline{CE}=V_{IL}$, I _{OUT} =0mA | - | 10 | 20 | mA |
| | Program | I _{CC2} | - | - | 10 | 20 | |
| | Erase | I _{CC3} | - | - | 10 | 20 | |
| Stand-by Current(TTL) | I _{SB1} | $\overline{CE}=V_{IH}$, $\overline{WP}=0V/V_{CC}$ | - | - | 1 | μA | |
| Stand-by Current(CMOS) | I _{SB2} | $\overline{CE}=V_{CC}-0.2$, $\overline{WP}=0V/V_{CC}$ | - | 20 | 100 | | |
| Input Leakage Current | I _{LI} | V _{IN} =0 to V _{CC} (max) | - | - | ±10 | μA | |
| Output Leakage Current | I _{LO} | V _{OUT} =0 to V _{CC} (max) | - | - | ±10 | | |
| Input High Voltage | V _{IH} | I/O pins | V _{CCQ} -0.4 | - | V _{CCQ} +0.3 | V | |
| | | Except I/O pins | V _{CC} -0.4 | - | V _{CC} +0.3 | | |
| Input Low Voltage, All inputs | V _{IL} | - | -0.3 | - | 0.5 | | |
| Output High Voltage Level | V _{OH} | I _{OH} =-100μA | V _{CCQ} -0.4 | - | - | | |
| Output Low Voltage Level | V _{OL} | I _{OL} =100μA | - | - | 0.4 | | |
| Output Low Current(R/B) | I _{OL} (R/B) | V _{OL} =0.1V | 3 | 4 | - | mA | |

Notes :

- Typical values are measured at V_{CC}=2.7V, T_A=25°C. And not 100% tested.

VALID BLOCK

| Parameter | Symbol | Min | Typ. | Max | Unit |
|--------------------|--------|--------|------|--------|--------|
| Valid Block Number | NVB | 16,104 | - | 16,384 | Blocks |

NOTE :

1. This device may include invalid blocks when first shipped. Additional invalid blocks may develop while being used. The number of valid blocks is presented with both cases of invalid blocks considered. Invalid blocks are defined as blocks that contain one or more bad bits. Do not erase or program factory-marked bad blocks. Refer to the attached technical notes for a appropriate management of invalid blocks.
2. The 1st block, which is placed on 00h block address, is fully guaranteed to be a valid block, does not require Error Correction up to 1K Program/Erase cycle.
3. Minimum 2,013 valid blocks are guaranteed for each contiguous 256Mb memory space.

AC TEST CONDITION

(TA=-25 to 85°C)

| Parameter | Value |
|--------------------------------|---|
| Input Pulse Levels | 0.4V to 2.4V |
| Input Rise and Fall Times | 5ns |
| Input and Output Timing Levels | 1.5V |
| Output Load | VccQ=2.7+/-10% : 1 TTL GATE and CL=30pF |

CAPACITANCE(TA=25°C, VCC=2.7V, f=1.0MHz)

| Item | Symbol | Test Condition | Min | Max | Unit |
|--------------------------|------------------|---------------------|-----|-----|------|
| Input/Output Capacitance | C _{I/O} | V _{IL} =0V | - | 20 | pF |
| Input Capacitance | C _{IN} | V _{IN} =0V | - | 20 | pF |

NOTE : Capacitance is periodically sampled and not 100% tested.

MODE SELECTION

| CLE | ALE | CE | WE | RE | WP | Mode | |
|-----|------------------|----|----|----|-----------------------|-----------------------|--------------------------|
| H | L | L | | H | X | Read Mode | Command Input |
| L | H | L | | H | X | | Address Input (4 clocks) |
| H | L | L | | H | H | Write Mode | Command Input |
| L | H | L | | H | H | | Address Input (4 clocks) |
| L | L | L | | H | H | Data Input | |
| L | L | L | H | | X | Data Output | |
| L | L | L | H | H | X | During Read (Busy) | |
| X | X | X | X | X | H | During Program (Busy) | |
| X | X | X | X | X | H | During Erase (Busy) | |
| X | X ⁽¹⁾ | X | X | X | L | Write Protect | |
| X | X | H | X | X | 0V/Vcc ⁽²⁾ | Stand-by | |

- NOTE : 1. X can be V_{IL} or V_{IH}.
 2. WP should be biased to CMOS high or CMOS low for standby.

Program / Erase Characteristics

| Parameter | Symbol | Min | Typ | Max | Unit |
|---|-------------------|-----|-----|-----|-------|
| Program Time | t _{PROG} | - | 200 | 500 | μs |
| Dummy Busy Time for Multi Plane Program | t _{DBSY} | - | 1 | 10 | μs |
| Number of Partial Program Cycles in the Same Page | Main Array | - | - | 1 | cycle |
| | Spare Array | - | - | 2 | cycle |
| Block Erase Time | t _{BERS} | - | 2 | 3 | ms |

AC Timing Characteristics for Command / Address / Data Input

| Parameter | Symbol | Min | Max | Unit |
|---------------------------------------|--------|-------------------|-----|------|
| CLE Set-up Time | tCLS | 0 | - | ns |
| CLE Hold Time | tCLH | 5 | - | ns |
| $\overline{\text{CE}}$ Setup Time | tCS | 0 | .- | ns |
| $\overline{\text{CE}}$ Hold Time | tCH | 5 | - | ns |
| $\overline{\text{WE}}$ Pulse Width | tWP | 25 ⁽¹⁾ | - | ns |
| ALE Setup Time | tALS | 0 | - | ns |
| ALE Hold Time | tALH | 5 | - | ns |
| Data Setup Time | tDS | 20 | - | ns |
| Data Hold Time | tDH | 5 | - | ns |
| Write Cycle Time | tWC | 45 | - | ns |
| $\overline{\text{WE}}$ High Hold Time | tWH | 15 | - | ns |

NOTE :

1. If tCS is set less than 10ns, tWP must be minimum 35ns, otherwise, tWP may be minimum 25ns.

AC Characteristics for Operation

| Parameter | Symbol | Min | Max | Unit |
|---|--------|-----|-----------------------------|---------------|
| Data Transfer from Cell to Register | tR | - | 15 | μs |
| ALE to $\overline{\text{RE}}$ Delay | tAR | 10 | - | ns |
| CLE to $\overline{\text{RE}}$ Delay | tCLR | 10 | - | ns |
| Ready to $\overline{\text{RE}}$ Low | tRR | 20 | - | ns |
| $\overline{\text{RE}}$ Pulse Width | tRP | 25 | - | ns |
| $\overline{\text{WE}}$ High to Busy | tWB | - | 100 | ns |
| Read Cycle Time | tRC | 50 | - | ns |
| $\overline{\text{CE}}$ Access Time | tCEA | - | 45 | ns |
| $\overline{\text{RE}}$ Access Time | tREA | - | 30 | ns |
| $\overline{\text{RE}}$ High to Output Hi-Z | tRHZ | - | 30 | ns |
| $\overline{\text{CE}}$ High to Output Hi-Z | tCHZ | - | 20 | ns |
| $\overline{\text{RE}}$ or $\overline{\text{CE}}$ High to Output hold | tOH | 15 | - | ns |
| $\overline{\text{RE}}$ High Hold Time | tREH | 15 | - | ns |
| Output Hi-Z to $\overline{\text{RE}}$ Low | tIR | 0 | - | ns |
| $\overline{\text{WE}}$ High to $\overline{\text{RE}}$ Low | tWHR | 60 | - | ns |
| Device Resetting Time(Read/Program/Erase) | tRST | - | 5/10/500 ⁽¹⁾ | μs |
| Last RE High to Busy(at sequential read) | tRB | - | 100 | ns |
| $\overline{\text{CE}}$ High to Ready(in case of interception by $\overline{\text{CE}}$ at read) | tCRY | - | 50 + tr(R/B) ⁽³⁾ | ns |
| $\overline{\text{CE}}$ High Hold Time(at the last serial read) ⁽²⁾ | tCEH | 100 | - | ns |

NOTE :

1. If reset command(FFh) is written at Ready state, the device goes into Busy for maximum 5 μs .
2. To break the sequential read cycle, $\overline{\text{CE}}$ must be held high for longer time than tCEH.
3. The time to Ready depends on the value of the pull-up resistor tied R/B pin.

NAND Flash Technical Notes

Initial Invalid Block(s)

Initial invalid blocks are defined as blocks that contain one or more initial invalid bits whose reliability is not guaranteed by Samsung. The information regarding the initial invalid block(s) is so called as the initial invalid block information. Devices with initial invalid block(s) have the same quality level as devices with all valid blocks and have the same AC and DC characteristics. An initial invalid block(s) does not affect the performance of valid block(s) because it is isolated from the bit line and the common source line by a select transistor. The system design must be able to mask out the initial invalid block(s) via address mapping. The 1st block, which is placed on 00h block address, is fully guaranteed to be a valid block, does not require Error Correction up to 1K Program/Erase cycles.

Identifying Initial Invalid Block(s)

All device locations are erased(FFh) except locations where the initial invalid block(s) information is written prior to shipping. The initial invalid block(s) status is defined by the 6th byte in the spare area. Samsung makes sure that either the 1st or 2nd page of every initial invalid block has non-FFh data at the column address of 517. Since the initial invalid block information is also erasable in most cases, it is impossible to recover the information once it has been erased. Therefore, the system must be able to recognize the initial invalid block(s) based on the initial invalid block information and create the initial invalid block table via the following suggested flow chart(Figure 4). Any intentional erasure of the initial invalid block information is prohibited.

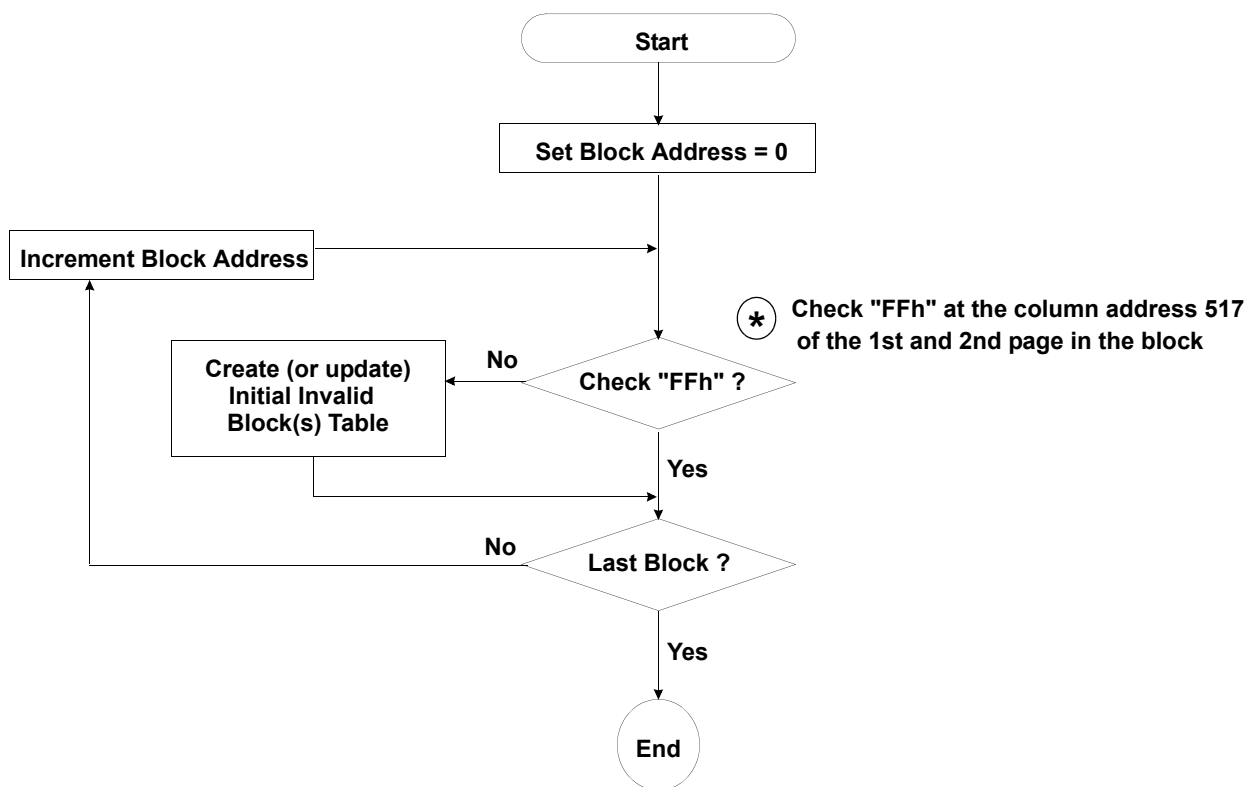


Figure 4. Flow chart to create initial invalid block table.

NAND Flash Technical Notes (Continued)

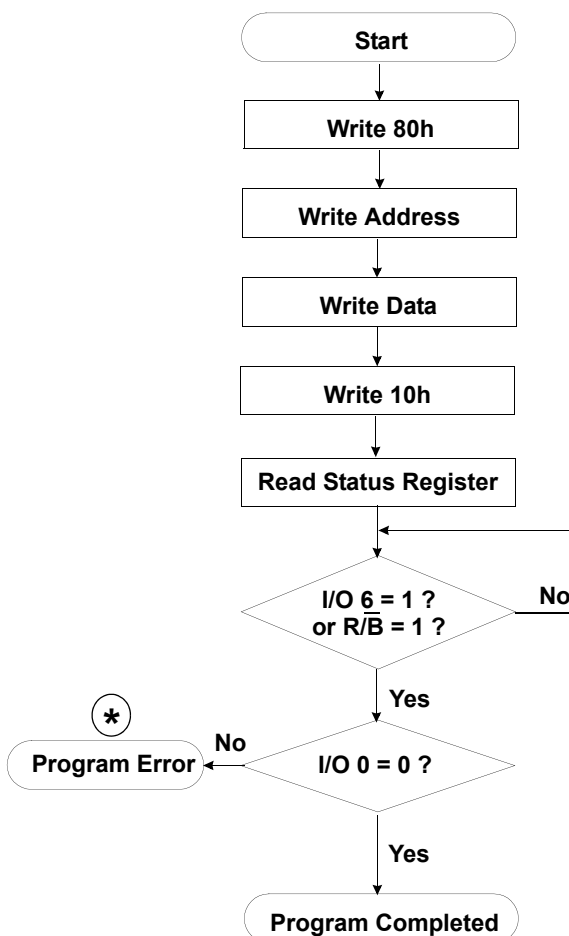
Error in write or read operation

Within its life time, the additional invalid blocks may develop with NAND Flash memory. Refer to the qualification report for the actual data. The following possible failure modes should be considered to implement a highly reliable system. In the case of status read failure after erase or program, block replacement should be done. Because program status fail during a page program does not affect the data of the other pages in the same block, block replacement can be executed with a page-sized buffer by finding an erased empty block and reprogramming the current target data and copying the rest of the replaced block. In case of Read, ECC must be employed. To improve the efficiency of memory space, it is recommended that the read or verification failure due to single bit error be reclaimed by ECC without any block replacement. The said additional block failure rate does not include those reclaimed blocks.

| Failure Mode | | Detection and Countermeasure sequence |
|--------------|--------------------|---|
| Write | Erase Failure | Status Read after Erase --> Block Replacement |
| | Program Failure | Status Read after Program --> Block Replacement |
| Read | Single Bit Failure | Verify ECC -> ECC Correction |

ECC : Error Correcting Code --> Hamming Code etc.
 Example) 1bit correction & 2bits detection

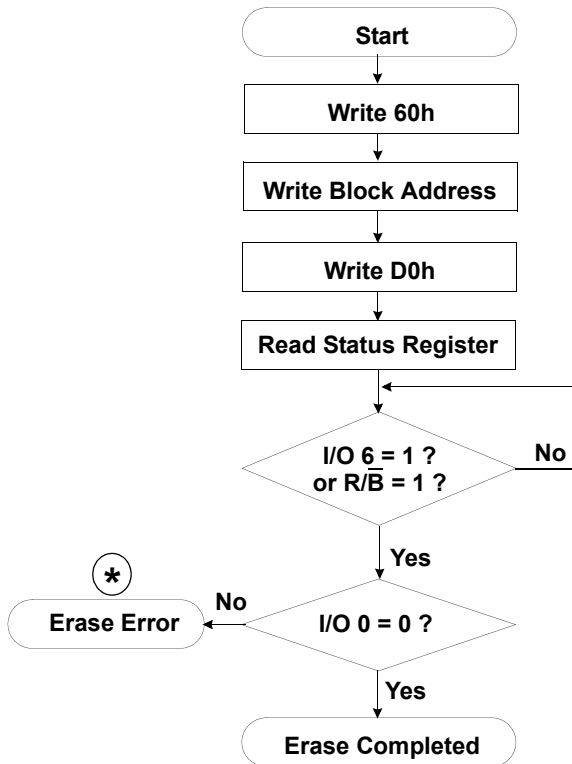
Program Flow Chart



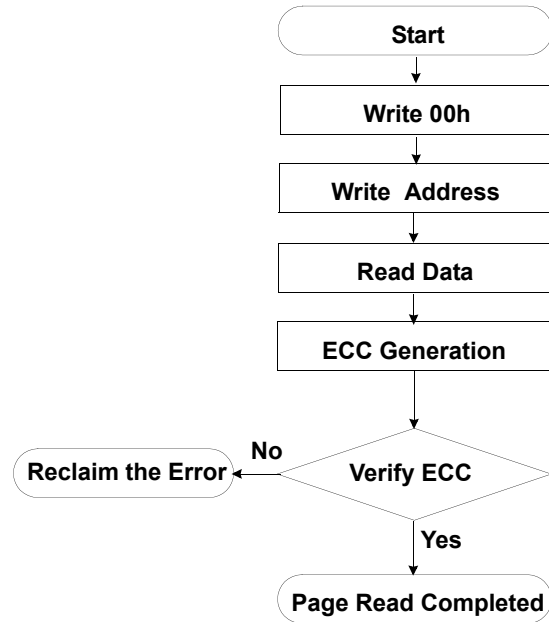
***** : If program operation results in an error, map out the block including the page in error and copy the target data to another block.

NAND Flash Technical Notes (Continued)

Erase Flow Chart

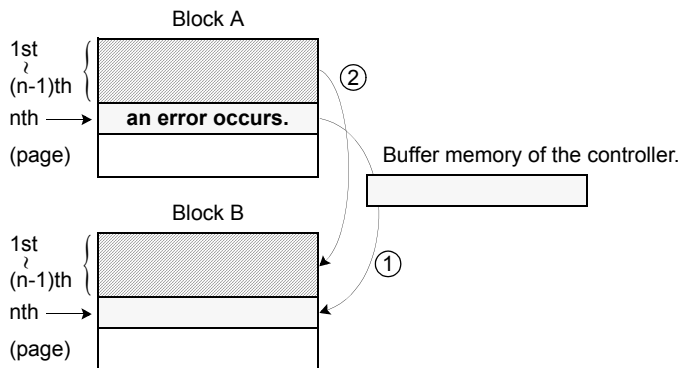


Read Flow Chart



* : If erase operation results in an error, map out the failing block and replace it with another block.

Block Replacement



- * Step1. When an error happens in the nth page of the Block 'A' during erase or program operation.
- * Step2. Copy the nth page data of the Block 'A' in the buffer memory to the nth page of another free block. (Block 'B')
- * Step3. Then, copy the data in the 1st ~ (n-1)th page to the same location of the Block 'B'.
- * Step4. Do not further erase Block 'A' by creating an 'invalid Block' table or other appropriate scheme.

Pointer Operation

Samsung NAND Flash has three address pointer commands as a substitute for the two most significant column addresses. '00h' command sets the pointer to 'A' area(0~255byte), '01h' command sets the pointer to 'B' area(256~511byte), and '50h' command sets the pointer to 'C' area(512~527byte). With these commands, the starting column address can be set to any of a whole page(0~527byte). '00h' or '50h' is sustained until another address pointer command is inputted. '01h' command, however, is effective only for one operation. After any operation of Read, Program, Erase, Reset, Power_Up is executed once with '01h' command, the address pointer returns to 'A' area by itself. To program data starting from 'A' or 'C' area, '00h' or '50h' command must be inputted before '80h' command is written. A complete read operation prior to '80h' command is not necessary. To program data starting from 'B' area, '01h' command must be inputted right before '80h' command is written.

Table 2. Destination of the pointer

| Command | Pointer position | Area |
|---------|------------------|-------------------|
| 00h | 0 ~ 255 byte | 1st half array(A) |
| 01h | 256 ~ 511 byte | 2nd half array(B) |
| 50h | 512 ~ 527 byte | spare array(C) |

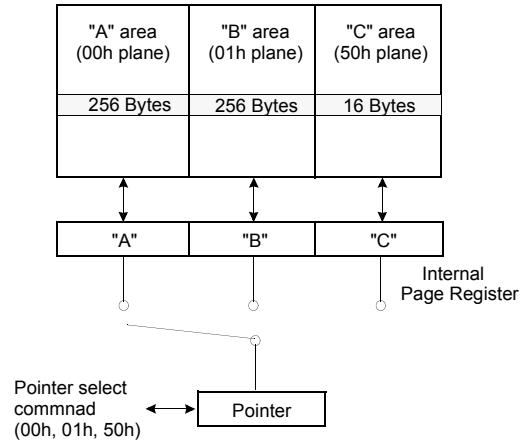
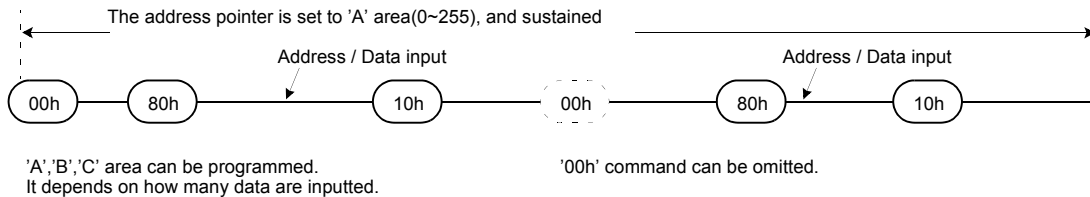
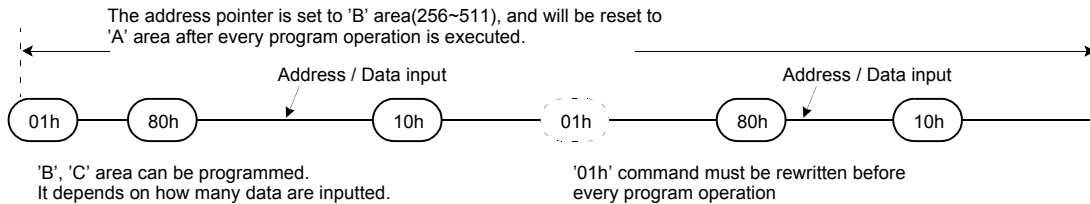


Figure 5. Block Diagram of Pointer Operation

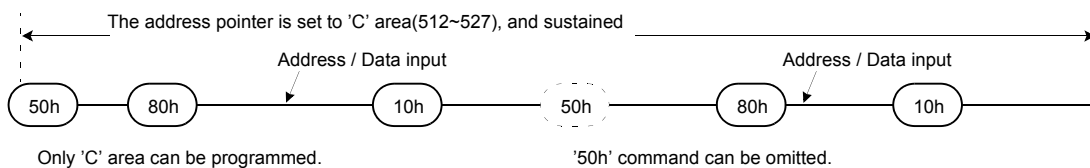
(1) Command input sequence for programming 'A' area



(2) Command input sequence for programming 'B' area



(3) Command input sequence for programming 'C' area



System Interface Using $\overline{\text{CE}}$ don't-care.

For an easier system interface, $\overline{\text{CE}}$ may be inactive during the data-loading or sequential data-reading as shown below. The internal 528bytes page registers are utilized as separate buffers for this operation and the system design gets more flexible. In addition, for voice or audio applications which use slow cycle time on the order of u-seconds, de-activating $\overline{\text{CE}}$ during the data-loading and reading would provide significant savings in power consumption.

Figure 6. Program Operation with $\overline{\text{CE}}$ don't-care.

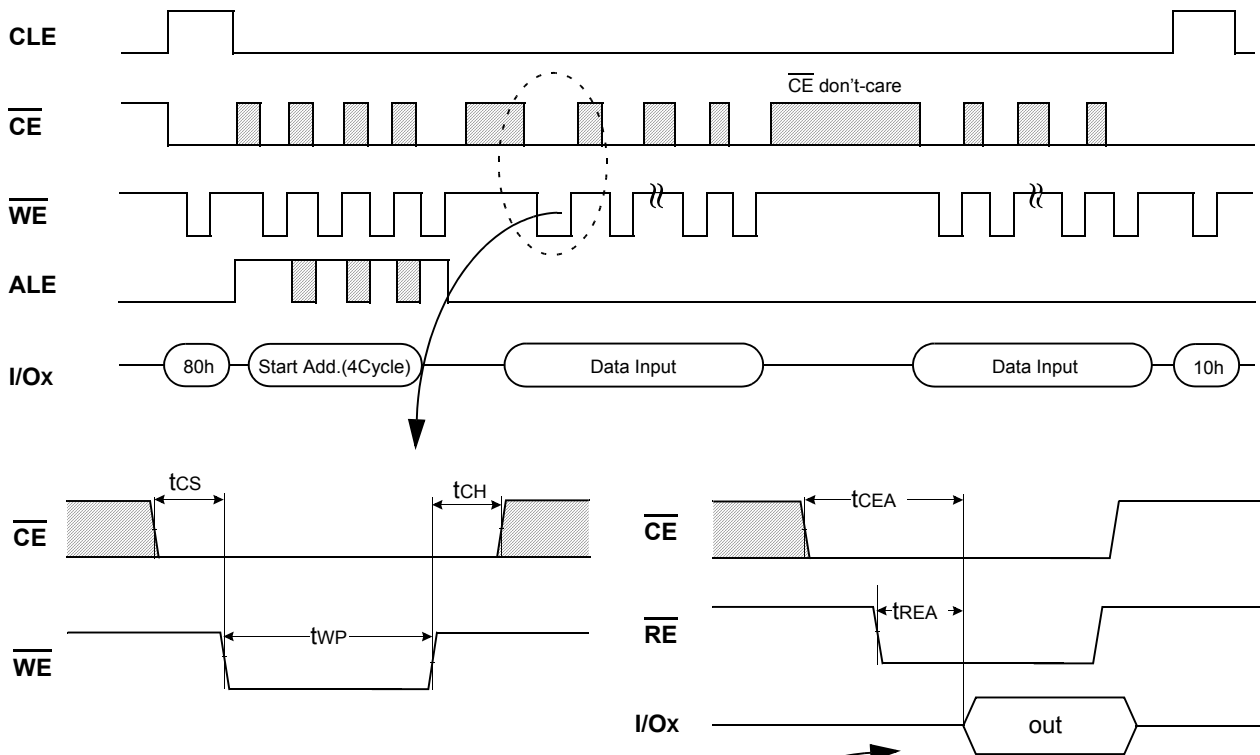
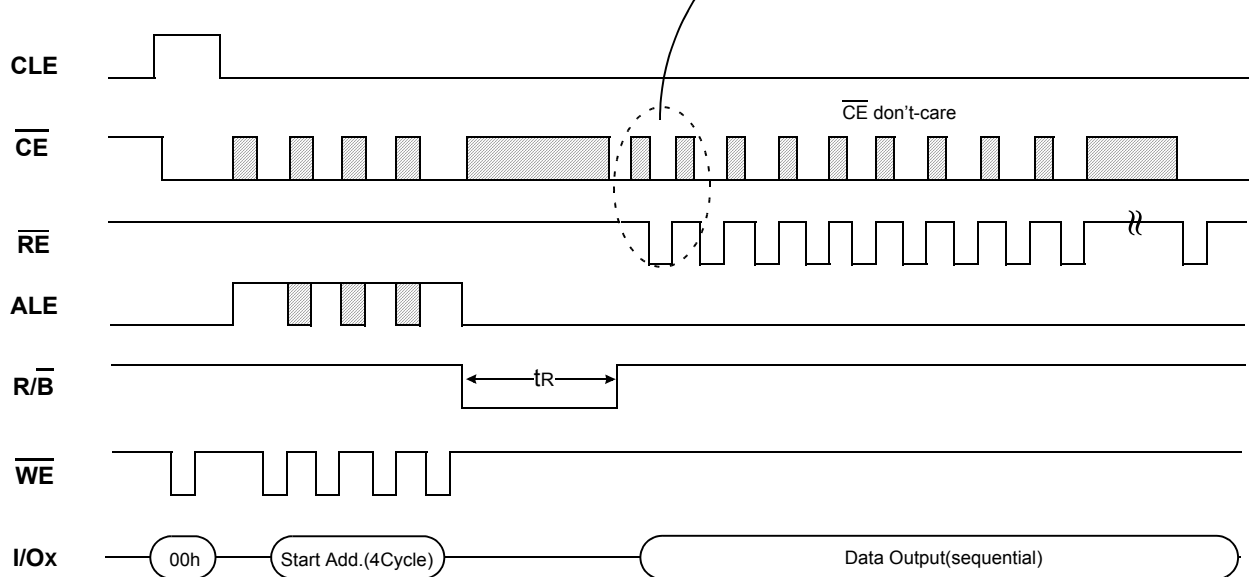
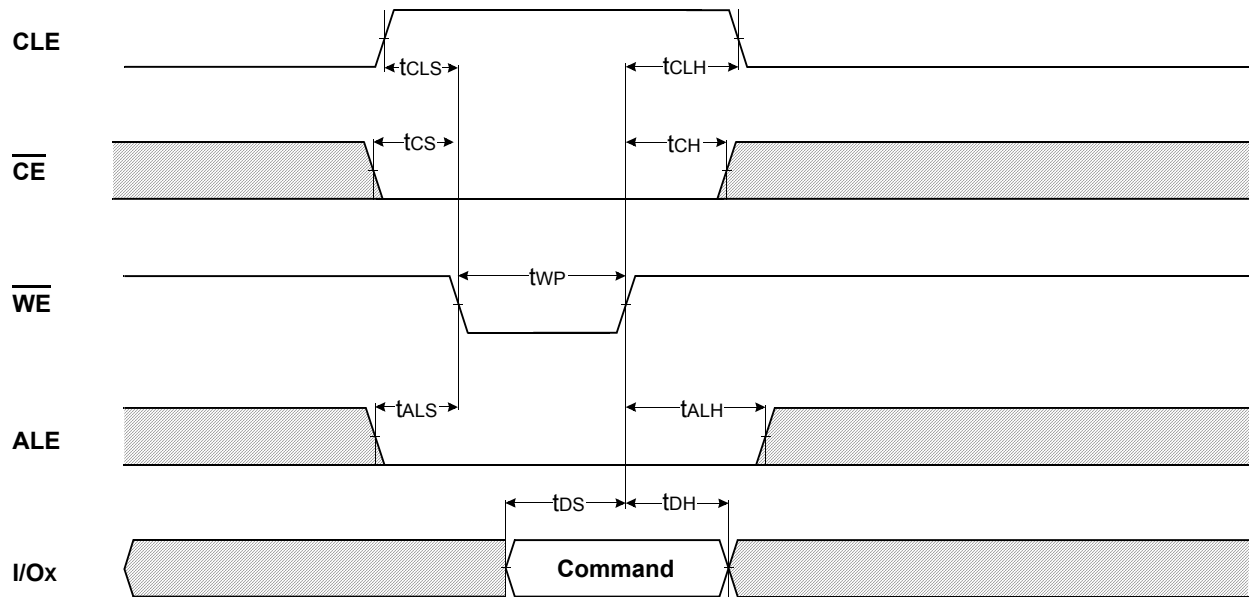


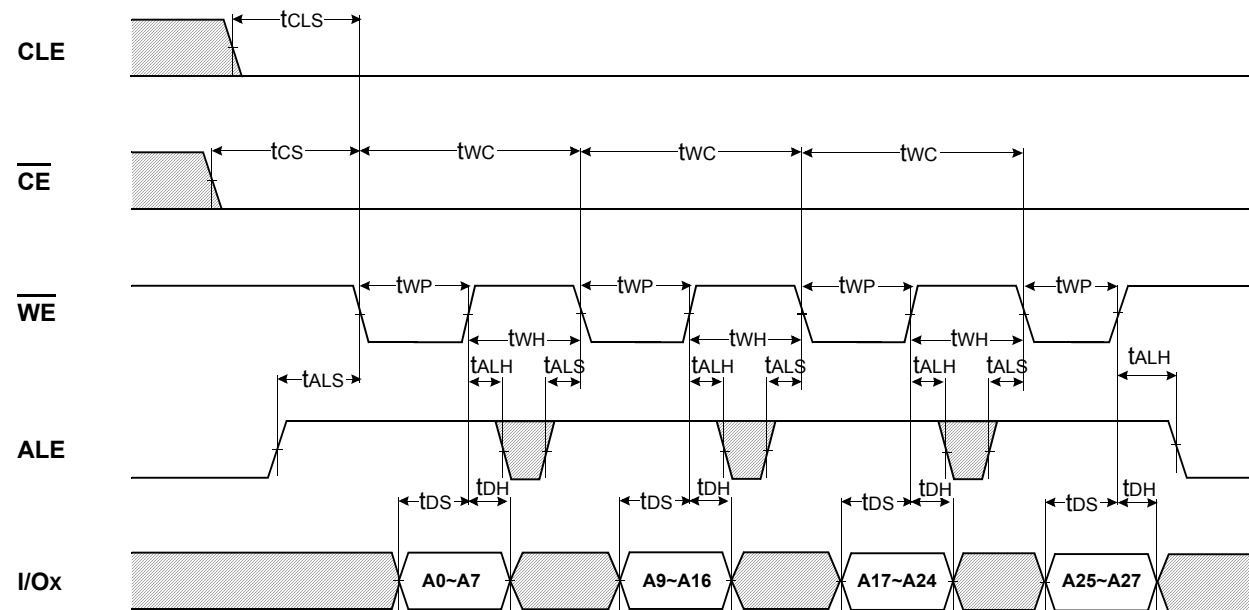
Figure 7. Read Operation with $\overline{\text{CE}}$ don't-care.



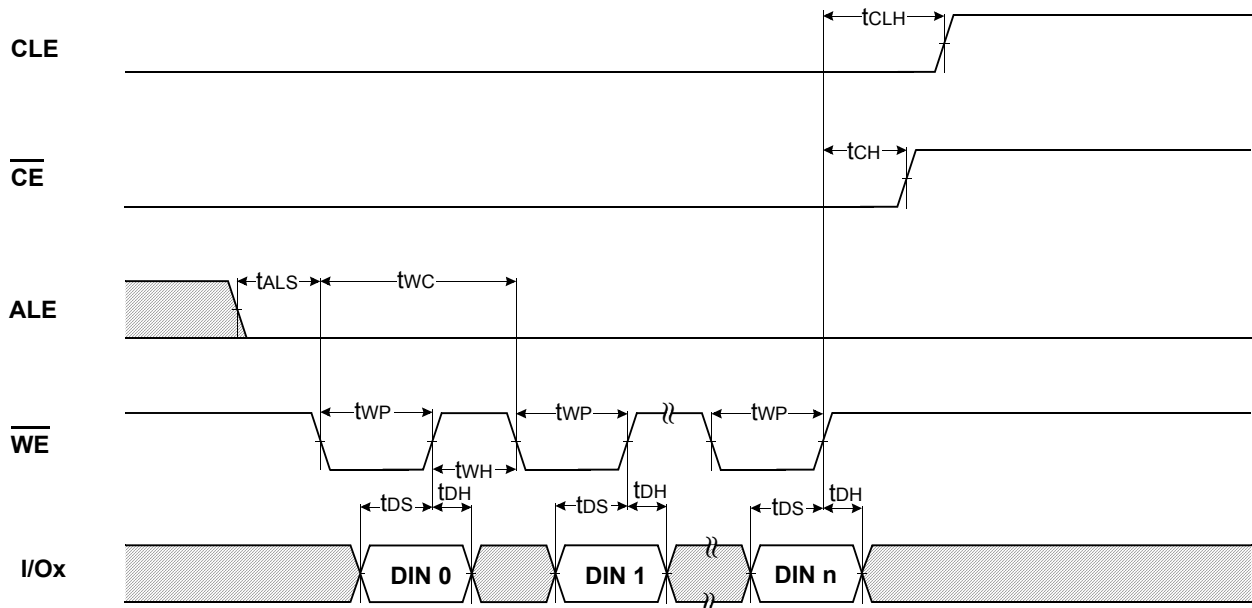
* Command Latch Cycle



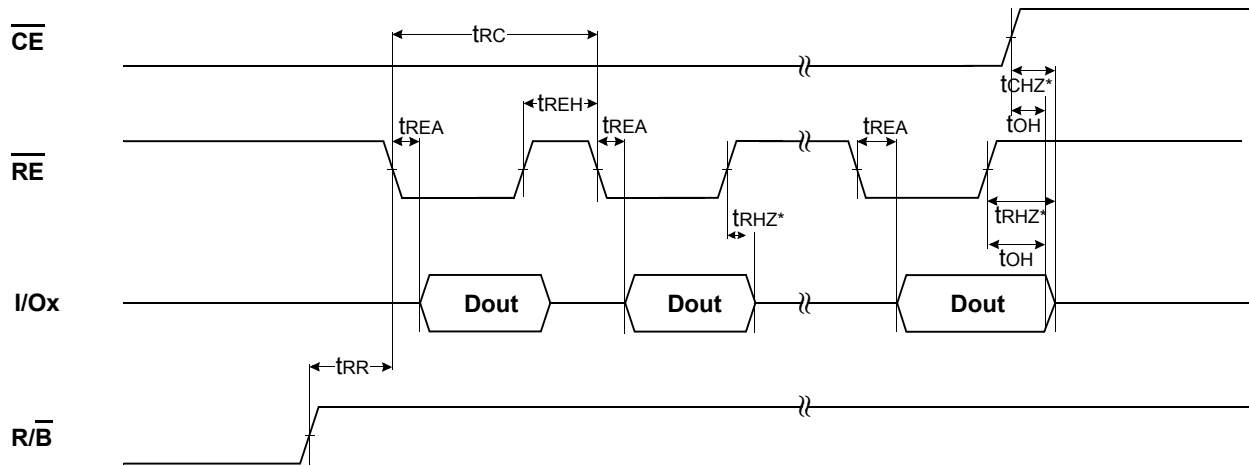
* Address Latch Cycle



* Input Data Latch Cycle

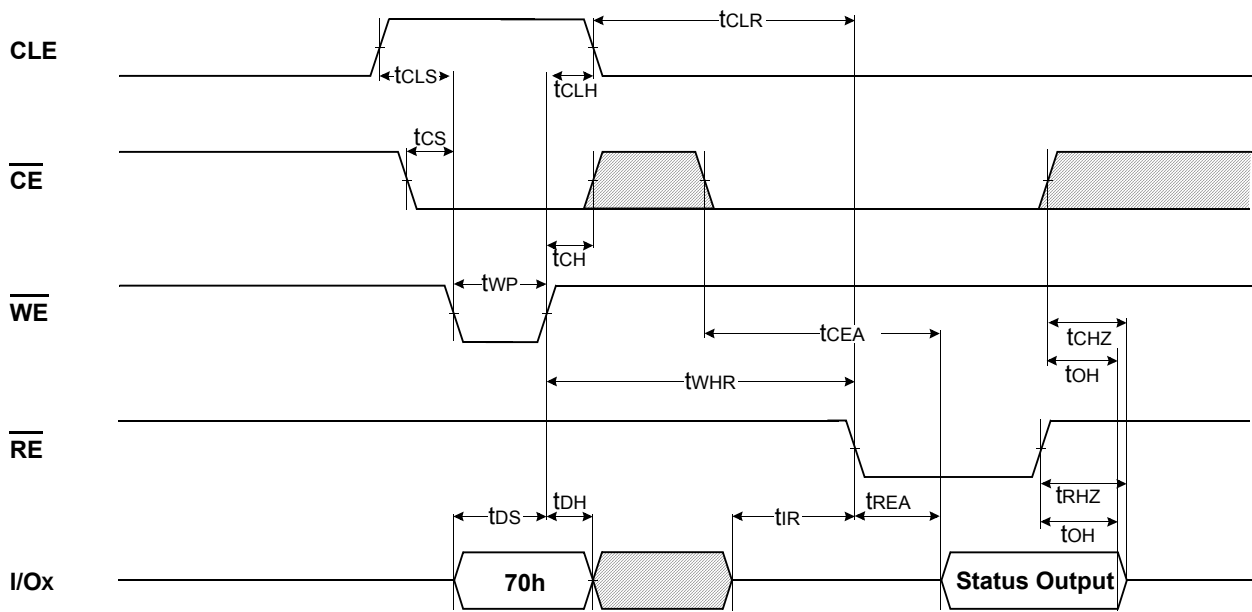


* Serial access Cycle after Read ($CLE=L, \overline{WE}=H, ALE=L$)

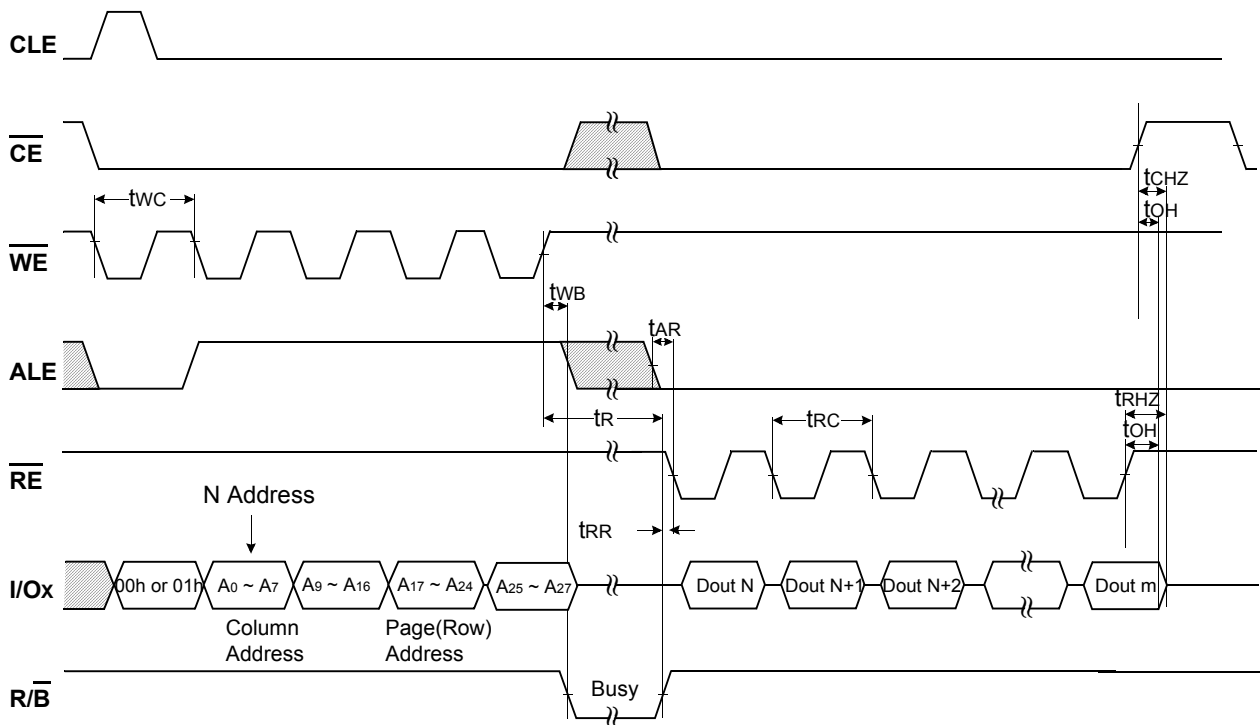


NOTES : Transition is measured $\pm 200mV$ from steady state voltage with load.
This parameter is sampled and not 100% tested.

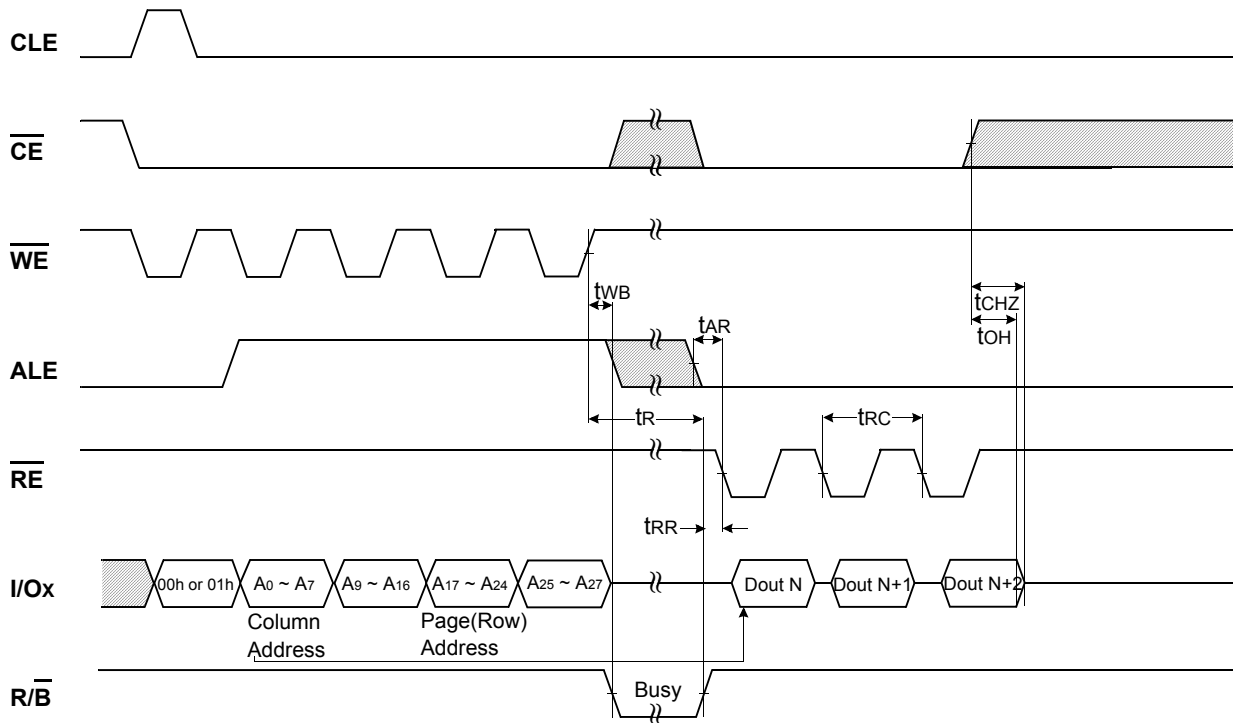
* Status Read Cycle



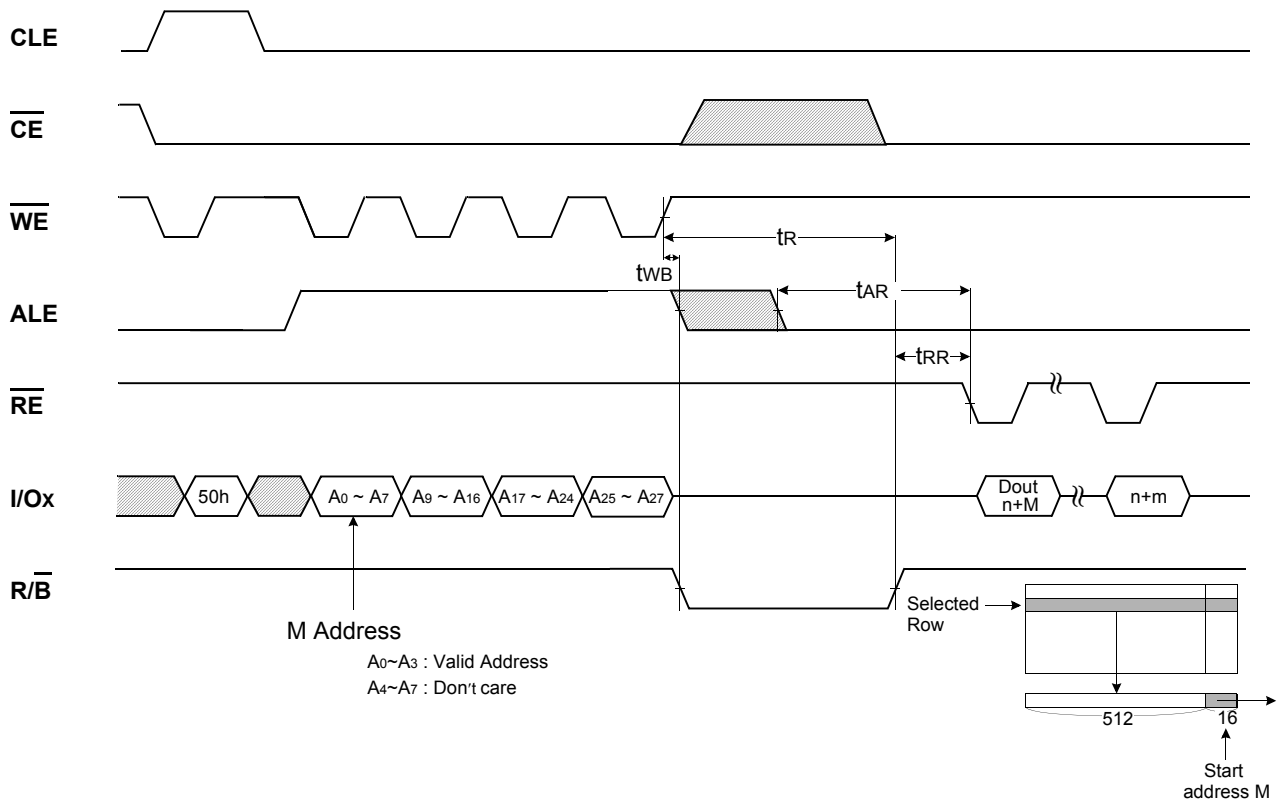
READ1 OPERATION(READ ONE PAGE)



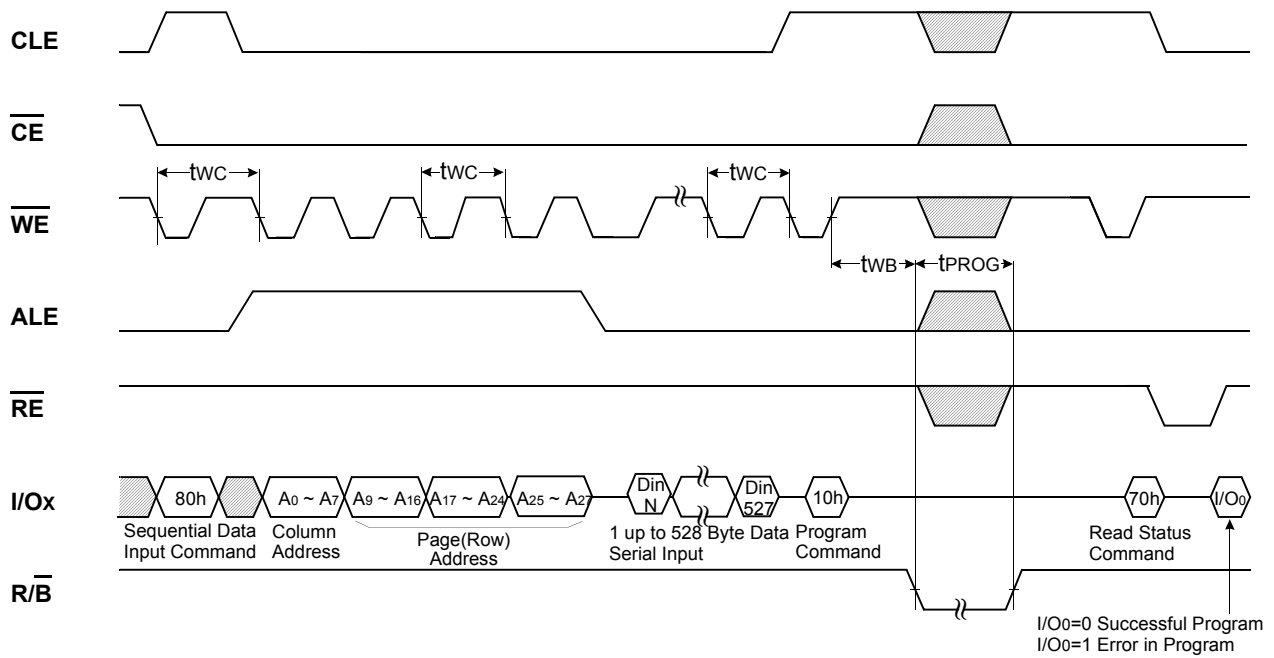
Read1 Operation(Intercepted by \overline{CE})



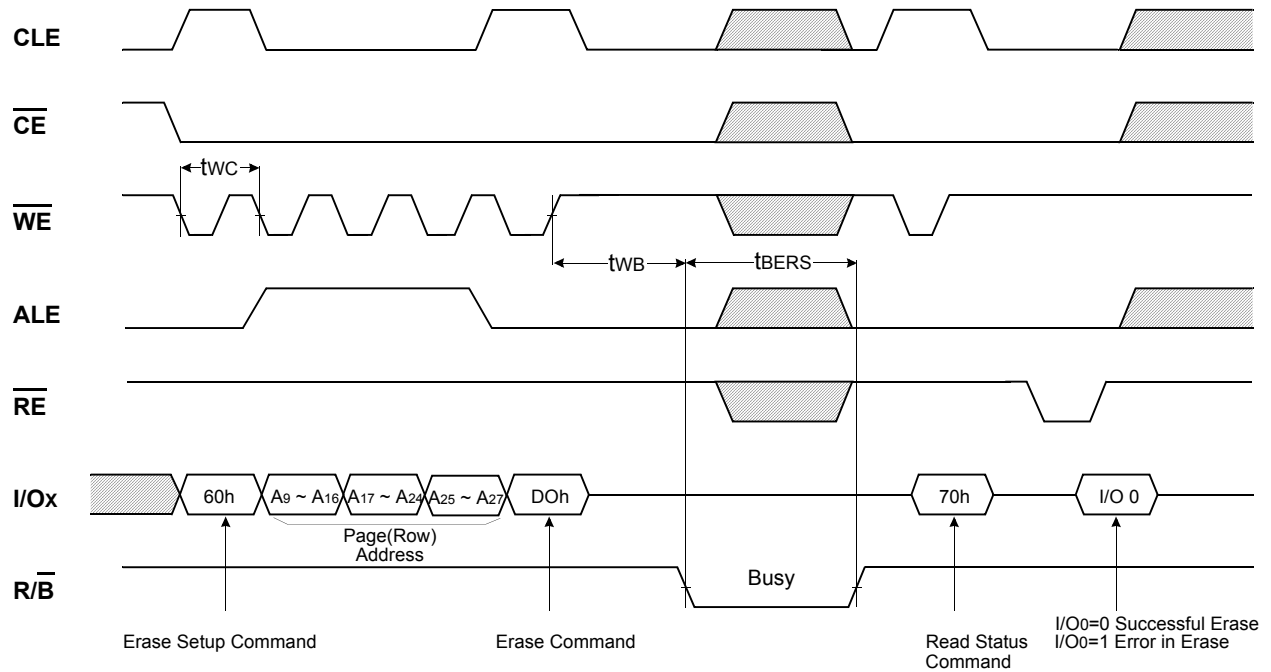
Read2 Operation(Read One Page)



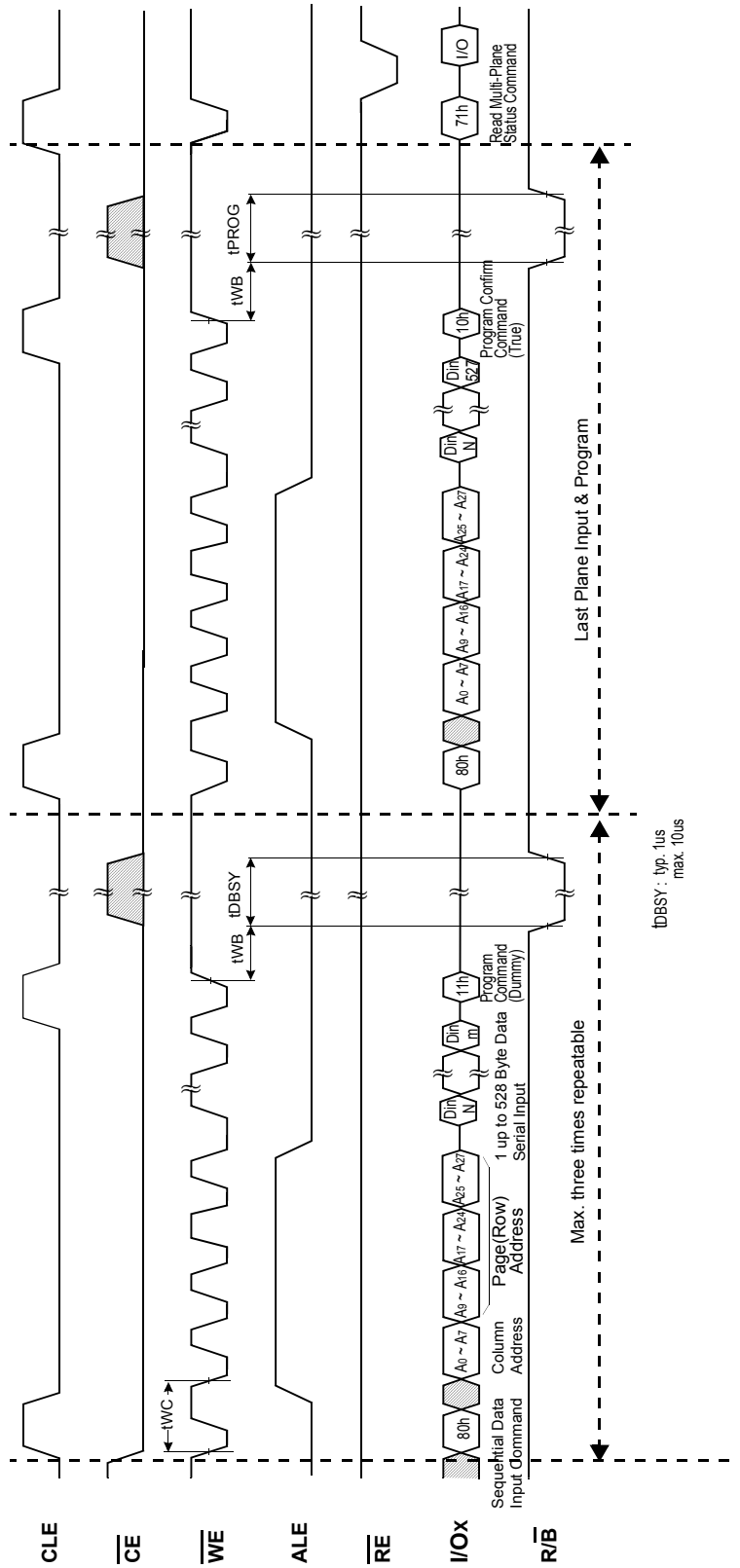
Page Program Operation



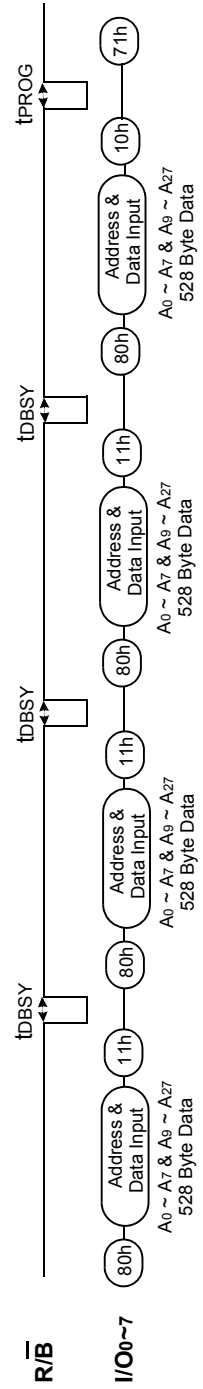
BLOCK ERASE OPERATION(ERASE ONE BLOCK)



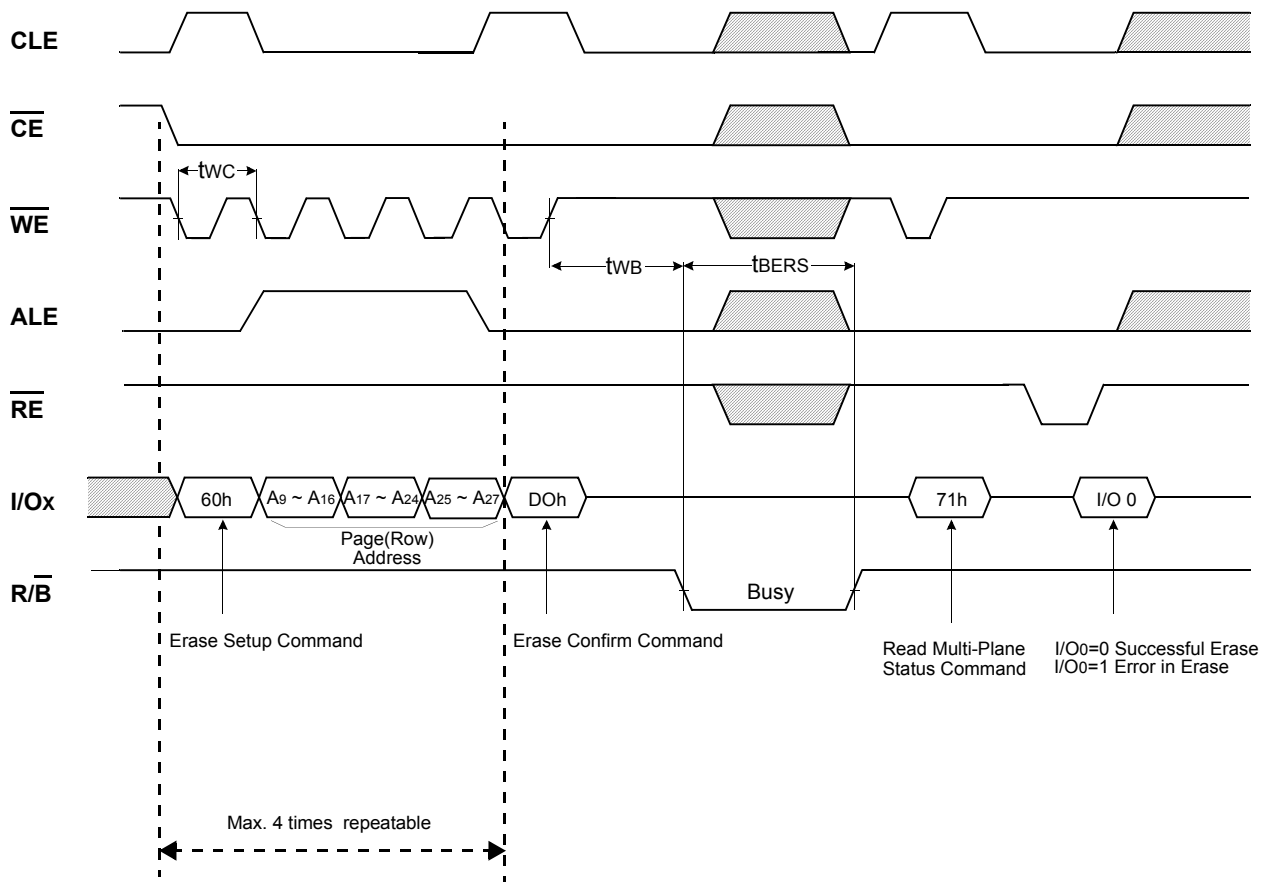
Multi-Plane Page Program Operation



Ex.) Four-Plane Page Program into Plane 0~3 or Plane 4~7

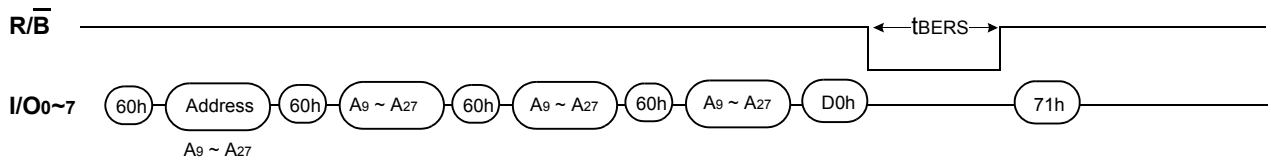


Multi-Plane Block Erase Operation into Plane 0~3 or Plane 4~7

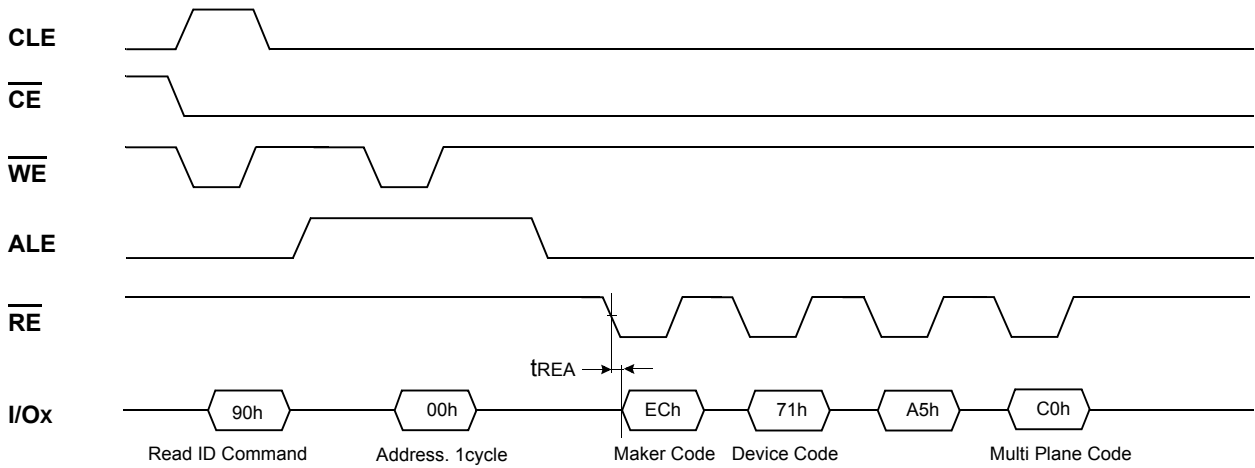


* For Multi-Plane Erase operation, Block address to be erased should be repeated before "D0H" command.

Ex.) Four-Plane Block Erase Operation



Read ID Operation (90 ID)

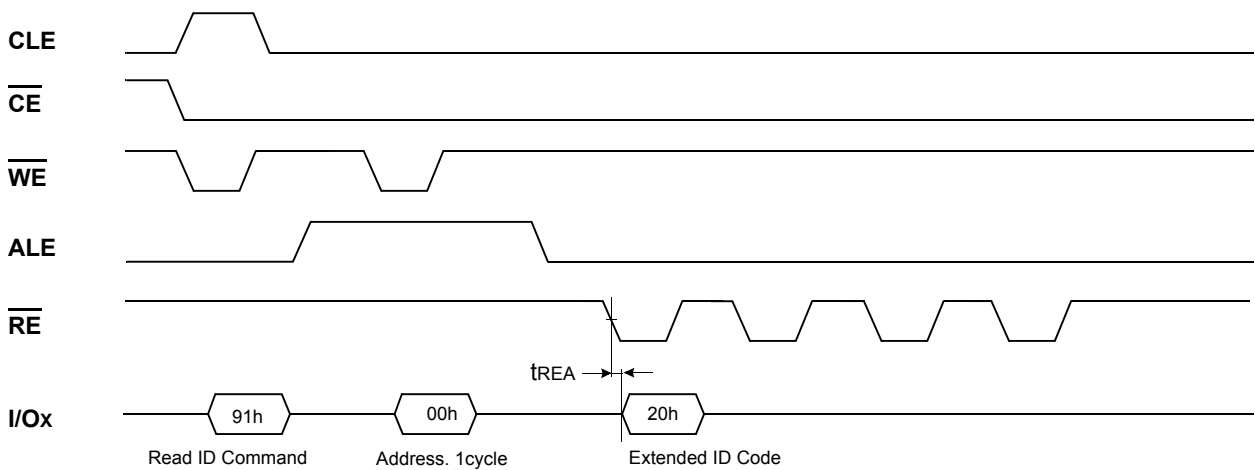


ID Definition Table

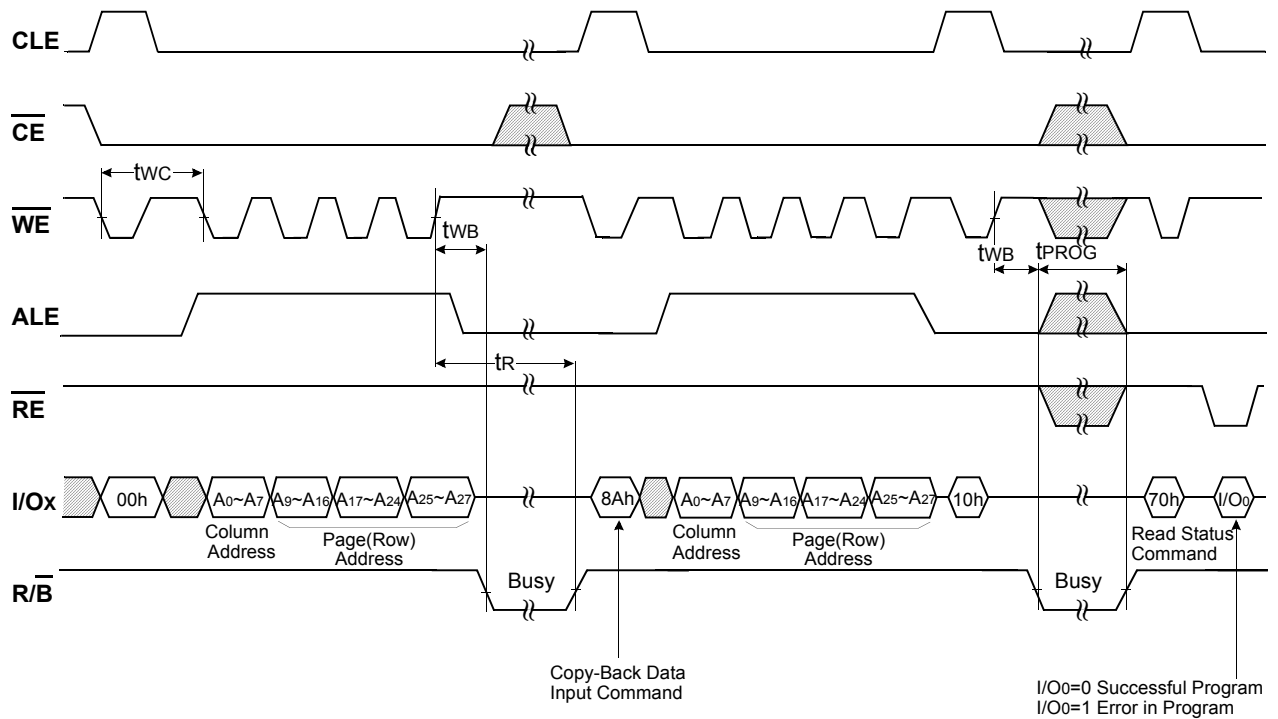
90 ID : Access command = 90H

| | Value | Description |
|----------|-------|--------------------------------|
| 1st Byte | ECh | Maker Code |
| 2nd Byte | 71h | Device Code |
| 3rd Byte | A5h | Must be don't -cared |
| 4th Byte | C0h | Supports Multi Plane Operation |

Read ID Operation (91 ID)



Copy-Back Program Operation



Device Operation

PAGE READ

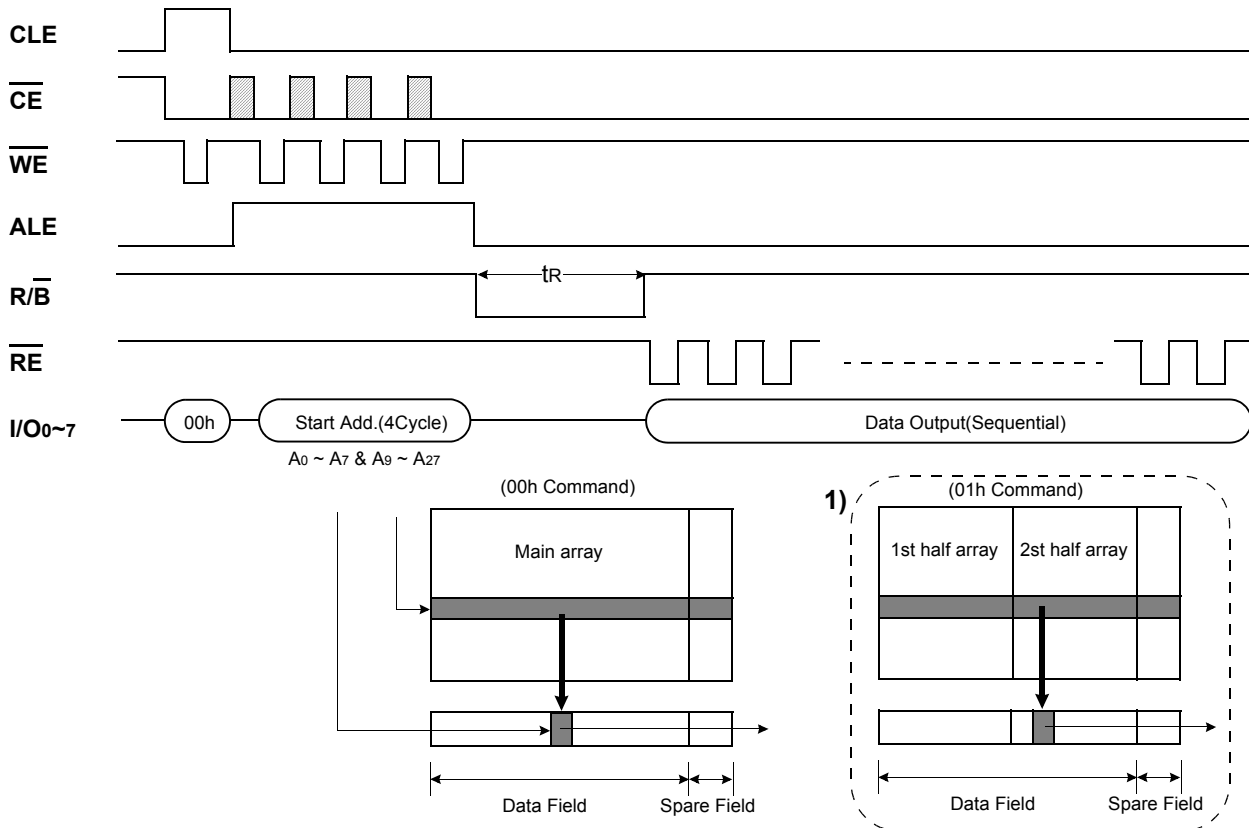
Upon initial device power up, the device defaults to Read1 mode. This operation is also initiated by writing 00h to the command register along with four address cycles. Once the command is latched, it does not need to be written for the following page read operation. Three types of operations are available : random read, serial page read and sequential row read.

The random read mode is enabled when the page address is changed. The 528 bytes of data within the selected page are transferred to the data registers in less than 15µs(t_R). The system controller can detect the completion of this data transfer(t_R) by analyzing the output of R/B pin. If \overline{CE} goes high before the device returns to Ready, the random read operation is interrupted and Busy returns to Ready as the defined by t_{CRY} . Since the operation was aborted, the serial page read does not output valid data. Once the data in a page is loaded into the registers, they may be read out in 50ns cycle time by sequentially pulsing \overline{RE} . High to low transitions of the \overline{RE} clock output the data starting from the selected column address up to the last column address.

The way the Read1 and Read2 commands work is like a pointer set to either the main area or the spare area. The spare area of 512 to 527 byte may be selectively accessed by writing the Read2 command. Addresses A0 to A3 set the starting address of the spare area while addresses A4 to A7 are ignored. The Read1 command(00h/01h) is needed to move the pointer back to the main area. Figures 8 to 10 show typical sequence and timings for each read operation.

After the data of last column address is clocked out, the next page is automatically selected for sequential row read. Waiting 12µs again allows reading the selected page. The sequential row read operation is terminated by bringing \overline{CE} high. Unless the operation is aborted, the page address is automatically incremented for sequential row read as in Read1 operation and spare sixteen bytes of each page may be sequentially read. The Sequential Read 1 and 2 operation is allowed only within a block and after the last page of a block is readout, the sequential read operation must be terminated by bringing \overline{CE} high. When the page address moves onto the next block, read command and address must be given. Figures 9, 10 show typical sequence and timings for sequential row read operation.

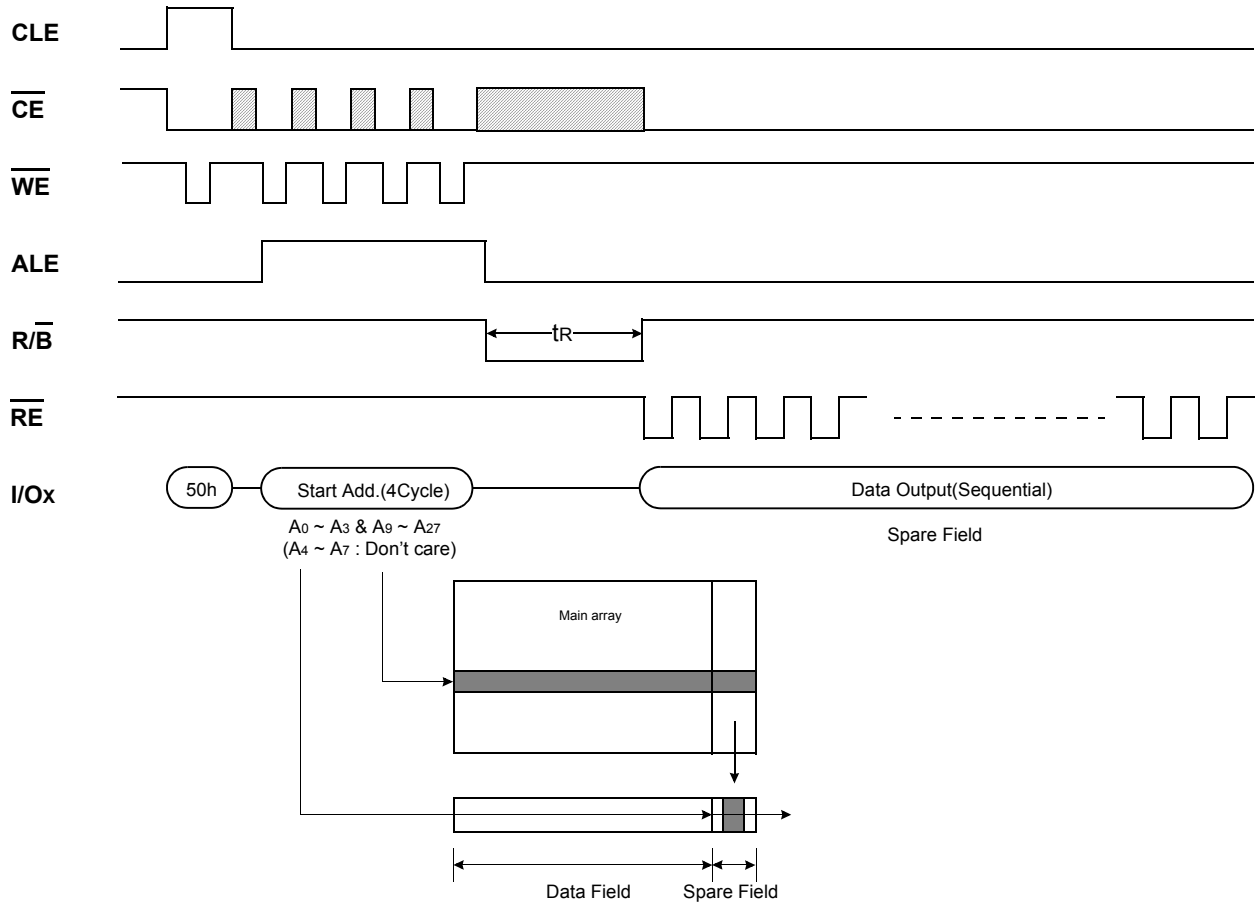
Figure 8-1. Read1 Operation



NOTE :

1) After data access on 2nd half array by 01h command, the start pointer is automatically moved to 1st half array (00h) at next cycle.

Figure 8-2. Read2 Operation

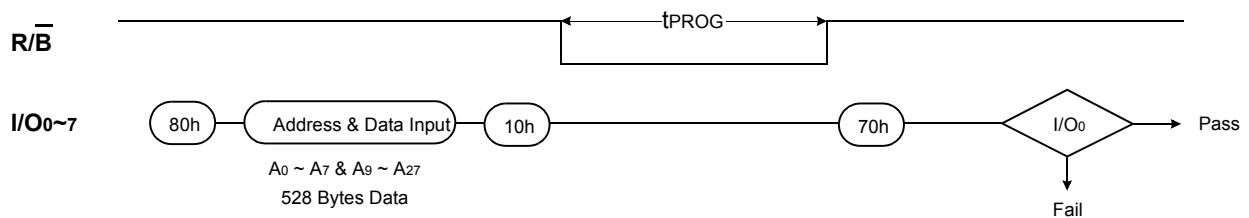


PAGE PROGRAM

The device is programmed basically on a page basis, but it does allow multiple partial page programming of a byte or consecutive bytes up to 528 byte, in a single page program cycle. The number of consecutive partial page programming operation within the same page without an intervening erase operation must not exceed 1 for main array and 2 for spare array. The addressing may be done in any random order in a block. A page program cycle consists of a serial data loading period in which up to 528 bytes of data may be loaded into the page register, followed by a non-volatile programming period where the loaded data is programmed into the appropriate cell. Serial data loading can be started from 2nd half array by moving pointer. About the pointer operation, please refer to the attached technical notes.

The serial data loading period begins by inputting the Serial Data Input command(80h), followed by the four cycle address input and then serial data loading. The bytes other than those to be programmed do not need to be loaded. The Page Program confirm command(10h) initiates the programming process. Writing 10h alone without previously entering the serial data will not initiate the programming process. The internal write state control automatically executes the algorithms and timings necessary for program and verify, thereby freeing the system controller for other tasks. Once the program process starts, the Read Status Register command may be entered, with \overline{RE} and \overline{CE} low, to read the status register. The system controller can detect the completion of a program cycle by monitoring the R/B output, or the Status bit(I/O 6) of the Status Register. Only the Read Status command and Reset command are valid while programming is in progress. When the Page Program is complete, the Write Status Bit(I/O 0) may be checked(Figure 9). The internal write verify detects only errors for "1"s that are not successfully programmed to "0"s. The command register remains in Read Status command mode until another valid command is written to the command register.

Figure 9. Program & Read Status Operation

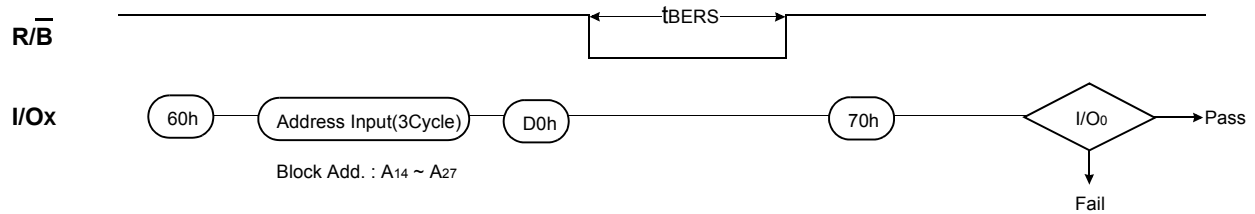


BLOCK ERASE

The Erase operation is done on a block(16K Bytes) basis. Block address loading is accomplished in three cycles initiated by an Erase Setup command(60h). Only address A14 to A27 is valid while A9 to A13 is ignored. The Erase Confirm command(D0h) following the block address loading initiates the internal erasing process. This two-step sequence of setup followed by execution command ensures that memory contents are not accidentally erased due to external noise conditions.

At the rising edge of \overline{WE} after the erase confirm command input, the internal write controller handles erase and erase-verify. When the erase operation is completed, the Write Status Bit(I/O 0) may be checked. Figure 10 details the sequence.

Figure 10. Block Erase Operation

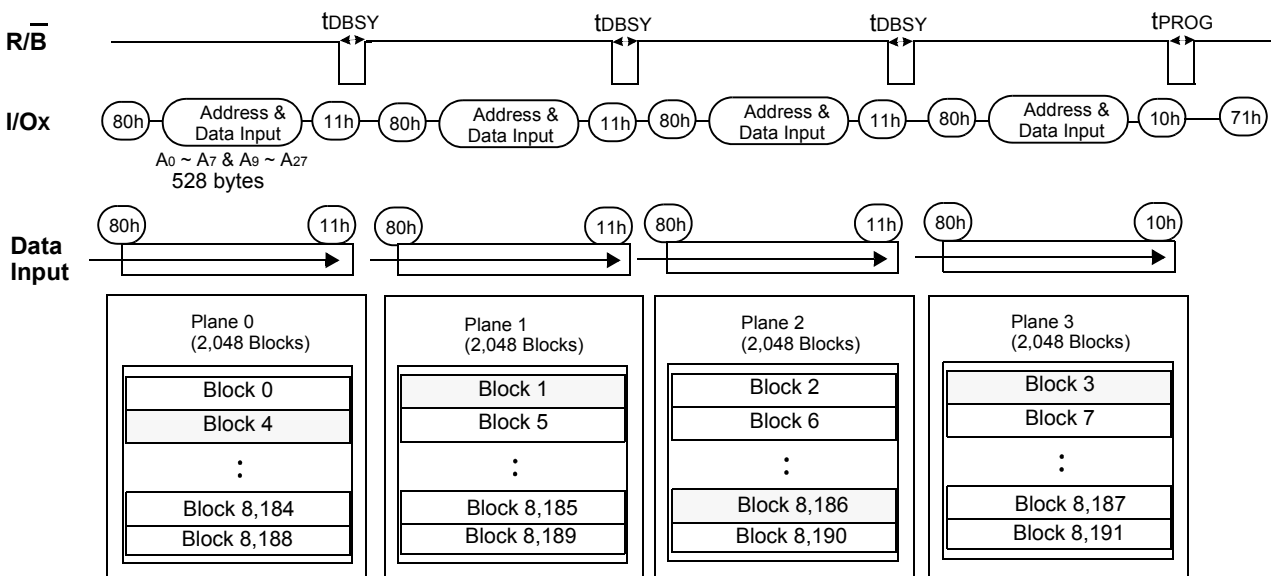


Multi-Plane Page Program into Plane 0~3 or Plane 4~7

Multi-Plane Page Program is an extension of Page Program, which is executed for a single plane with 528 bytes page register. Since the device is equipped with four memory planes, activating the four sets of 528 bytes page register enables a simultaneous programming of four pages. Partial activation of four planes is also permitted.

After writing the first set of data up to 528 byte into the selected page register, Dummy Page Program command (11h) instead of actual Page Program (10h) is inputted to finish data-loading of the current plane and move to the next plane. Since no programming process is involved, R/B remains in Busy state for a short period of time(tDBSY). Read Status command (standard 70h or alternate 71h) may be issued to find out when the device returns to Ready state by polling the Ready/Busy status bit(I/O 6). Then the next set of data for one of the other planes is inputted with the same command and address sequences. After inputting data for the last plane, actual True Page Program (10h) instead of dummy Page Program command (11h) must be followed to start the programming process. The operation of R/B and Read Status is the same as that of Page Program. Since maximum four pages are programmed simultaneously, pass/fail status is available for each page when the program operation completes. The extended status bits (I/O1 through I/O 4) are checked by inputting the Read Multi-Plane Status Register. Status bit of I/O 0 is set to "1" when any of the pages fails. Multi-Plane page Program with "01h" pointer is not supported, thus prohibited.

Figure 11. Four-Plane Page Program



Restriction in addressing with Multi Plane Page Program

While any block in each plane may be addressable for Multi-Plane Page Program, the five least significant addresses(A9-A13) for the selected pages at one operation must be the same. Figure 12 shows an example where 2nd page of each addressed block is selected for four planes. However, any arbitrary sequence is allowed in addressing multiple planes as shown in Figure13.

Figure 12. Multi-Plane Program & Read Status Operation

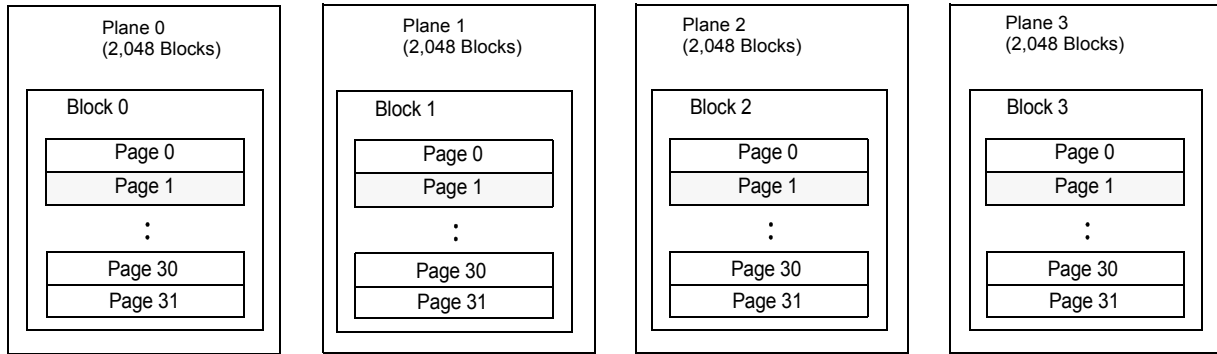


Figure 13. Addressing Multiple Planes

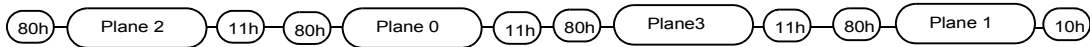
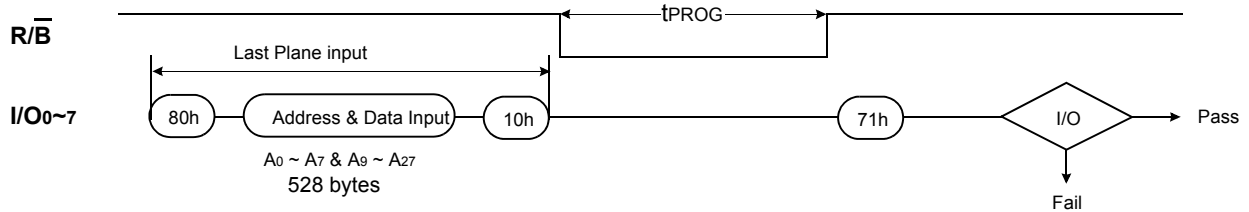


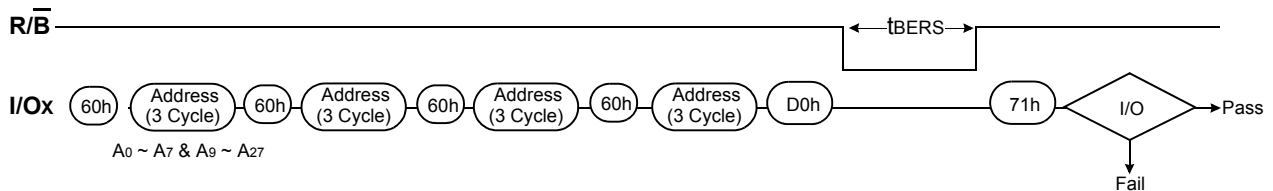
Figure 14. Multi-Plane Page Program & Read Status Operation



Multi-Plane Block Erase into Plane 0~3 or Plane 4~7

Basic concept of Multi-Plane Block Erase operation is identical to that of Multi-Plane Page Program. Up to four blocks, one from each plane can be simultaneously erased. Standard Block Erase command sequences (Block Erase Setup command followed by three address cycles) may be repeated up to four times for erasing up to four blocks. Only one block should be selected from each plane. The Erase Confirm command initiates the actual erasing process. The completion is detected by analyzing R/B pin or Ready/Busy status (I/O 6). Upon the erase completion, pass/fail status of each block is examined by reading extended pass/fail status(I/O 1 through I/O 4).

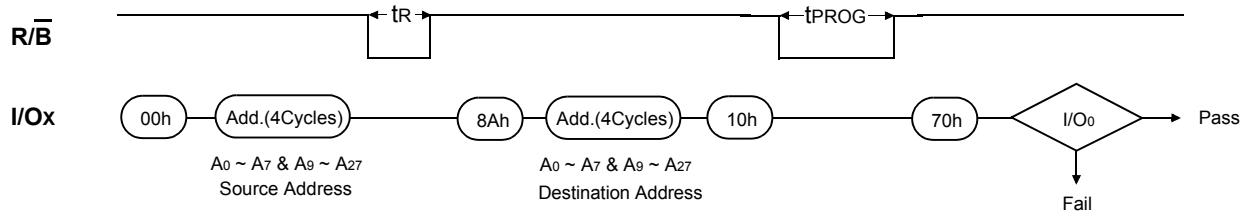
Figure 17. Four Block Erase Operation



Copy-Back Program

The copy-back program is configured to quickly and efficiently rewrite data stored in one page within the plane to another page within the same plane without utilizing an external memory. Since the time-consuming sequently-reading and its re-loading cycles are removed, the system performance is improved. The benefit is especially obvious when a portion of a block is updated and the rest of the block also need to be copied to the newly assigned free block. The operation for performing a copy-back program is a sequential execution of page-read without burst-reading cycle and copying-program with the address of destination page. A normal read operation with "00h" command and the address of the source page moves the whole 528bytes data into the internal page registers. As soon as the device returns to Ready state, Page-Copy Data-input command (8Ah) with the address cycles of destination page followed may be written. The Program Confirm command (10h) is required to actually begin the programming operation. Copy-Back Program operation is allowed only within the same memory plane. Once the Copy-Back Program is finished, any additional partial page programming into the copied pages is prohibited before erase. A14, A15 and A27 must be the same between source and target page. Figure18 shows the command sequence for single plane operation. "When there is a program-failure at Copy-Back operation, error is reported by pass/fail status. But, if Copy-Back operations are accumulated over time, bit error due to charge loss is not checked by external error detection/correction scheme. For this reason, two bit error correction is recommended for the use of Copy-Back operation."

Figure 16. 1-page Copy-Back program Operation



Multi-Plane Copy-Back Program

Multi-Plane Copy-Back Program is an extension of one page Copy-Back Program into four plane operation. Since the device is equipped with four memory planes, activating the four sets of 528 bytes page registers enables a simultaneous Multi-Plane Copy-Back programming of four pages. Partial activation of four planes is also permitted.

First, normal read operation with the "00h" command and address of the source page moves the whole 528 byte data into internal page buffers. Any further read operation for transferring the addressed pages to the corresponding page register must be executed with "03h" command instead of "00h" command. Any plane may be selected without regard to "00h" or "03h". Up to four planes may be addressed. Data moved into the internal page registers are loaded into the destination plane addresses. After the input of command sequences for reading the source pages, the same procedure as Multi-Plane Page programming except for a replacement address command with "8Ah" is executed. Since no programming process is involved during data loading at the destination plane address, R/B remains in Busy state for a short period of time (tDBSY). Read Status command (standard 70h or alternate 71h) may be issued to find out when the device returns to Ready state by polling the Ready/Busy status bit (I/O 6). After inputting data for the last plane, actual True Page Program (10h) instead of dummy Page Program command (11h) must be followed to start the programming process. The operation of R/B and Read Status is the same as that of Page Program. Since maximum four pages are programmed simultaneously, pass/fail status is available for each page when the program operation completes. No pointer operation is supported with Multi-Plane Copy-Back Program. Once the Multi-Plane Copy-Back Program is finished, any additional partial page programming into the copied pages is prohibited before erase once the Multi-Plane Copy-Back Program is finished.

Figure 17. 4-plane Copy-Back Program

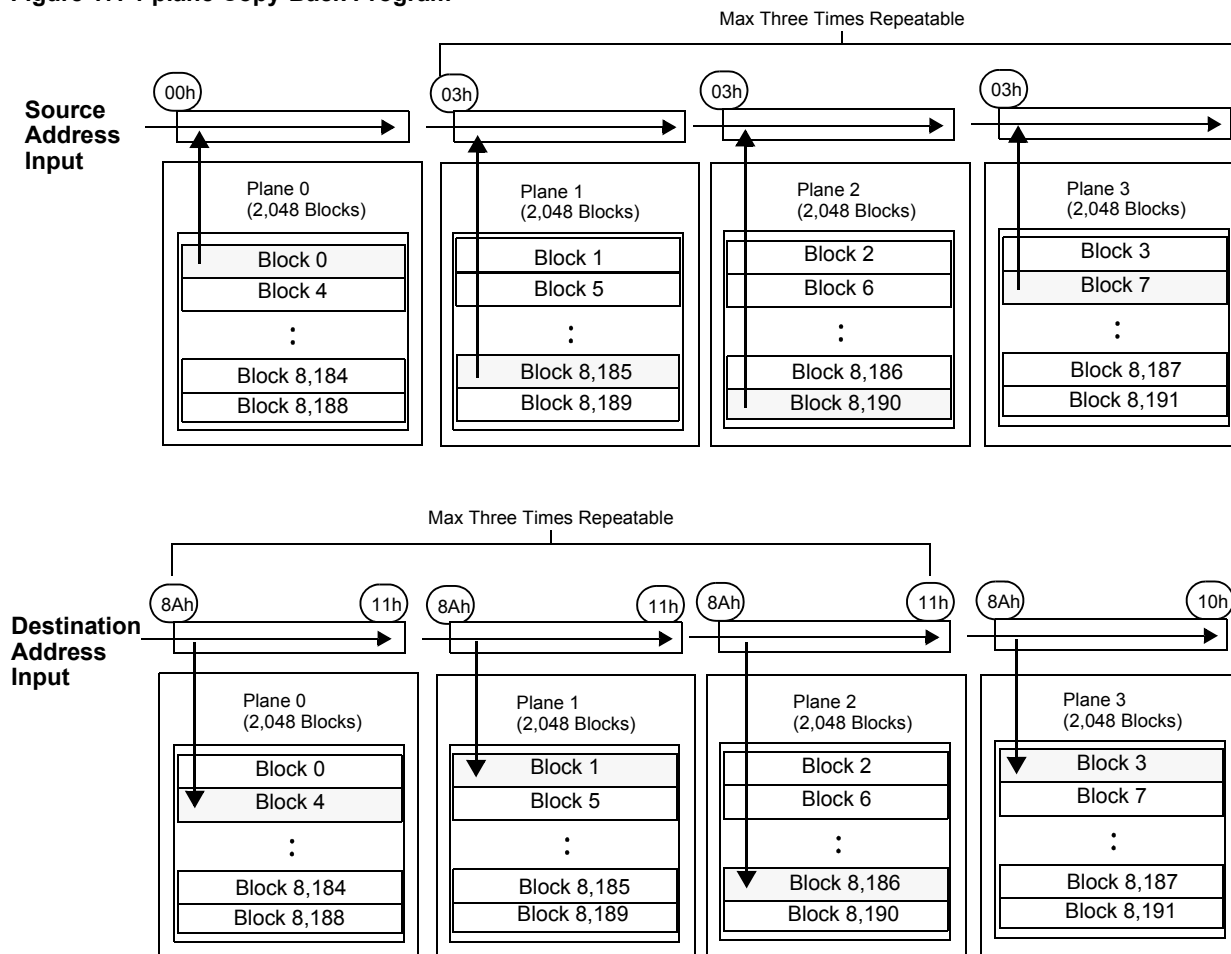
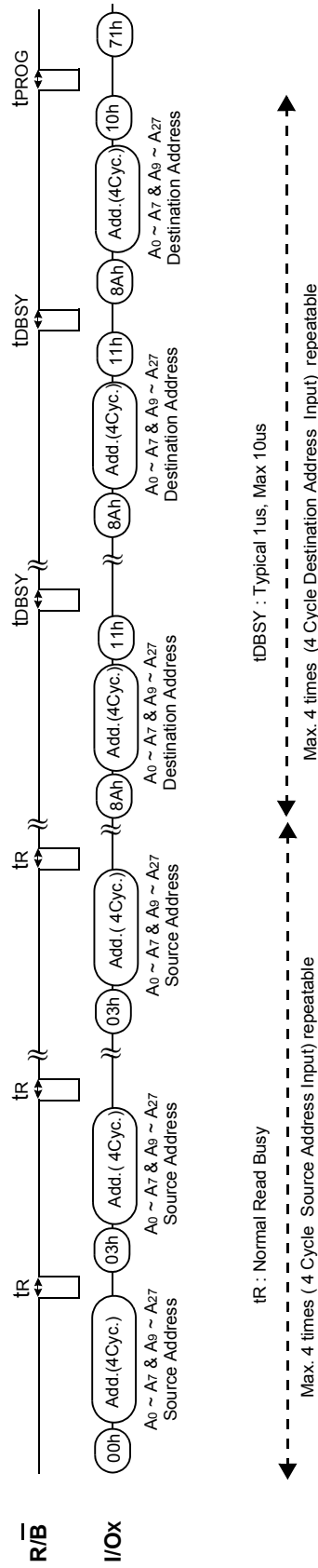


Figure 18. Four-Plane Copy-Back Page Program (Continued)



READ STATUS

The device contains a Status Register which may be read to find out whether program or erase operation is completed, and whether the program or erase operation is completed successfully. After writing 70h command to the command register, a read cycle outputs the content of the Status Register to the I/O pins on the falling edge of CE or RE, whichever occurs last. This two line control allows the system to poll the progress of each device in multiple memory connections even when R/B pins are common-wired. RE or CE does not need to be toggled for updated status. Refer to table 4 for specific Status Register definitions. The command register remains in Status Read mode until further commands are issued to it. Therefore, if the status register is read during a random read cycle, a read command(00h or 50h) should be given before sequential page read cycle.

For Read Status of Multi Plane Program/Erase, the Read Multi-Plane Status command(71h) should be used to find out whether multi-plane program or erase operation is completed, and whether the program or erase operation is completed successfully. The pass/fail status data must be checked only in the Ready condition after the completion of Multi-Plane program or erase operation.

Table4. Read Staus Register Definition

| I/O No. | Status | Definition by 70h Command | | Definition by 71h Command | |
|---------|-------------------|---------------------------|---------------------|---------------------------|---------------------|
| I/O 0 | Total Pass/Fail | Pass : "0" | Fail : "1" | Pass : "0" ⁽¹⁾ | Fail : "1" |
| I/O 1 | Plane 0 Pass/Fail | Must be don't -cared | | Pass : "0" ⁽²⁾ | Fail : "1" |
| I/O 2 | Plane 1 Pass/Fail | Must be don't -cared | | Pass : "0" ⁽²⁾ | Fail : "1" |
| I/O 3 | Plane 2 Pass/Fail | Must be don't -cared | | Pass : "0" ⁽²⁾ | Fail : "1" |
| I/O 4 | Plane 3 Pass/Fail | Must be don't -cared | | Pass : "0" ⁽²⁾ | Fail : "1" |
| I/O 5 | Reserved | Must be don't -cared | | Must be don't-cared | |
| I/O 6 | Device Operation | Busy : "0" | Ready : "1" | Busy : "0" | Ready : "1" |
| I/O 7 | Write Protect | Protected : "0" | Not Protected : "1" | Protected : "0" | Not Protected : "1" |

NOTE : 1. I/O 0 describes combined Pass/Fail condition for all planes. If any of the selected multiple pages/blocks fails in Program/ Erase operation, it sets "Fail" flag.
 2. The pass/fail status applies only to the corresponding plane.

Read ID

The device has 2 types of Read ID command, i.e. Read ID (1) command 90h and Read ID (2) command 91h. The device contains a product identification mode, initiated by writing 90h to the command register, followed by an address input of 00h. Four read cycles sequentially output the manufacture code(ECh), and the device code (79h), Reserved(A5h), Multi plane operation code(C0h) respectively. A5h must be don't-cared. C0h means that device supports Multi Plane operation. The command register remains in Read ID mode until further commands are issued to it. Read ID (2) command 91h provides Multi-Plane(4-Plane) operations availability. If ID code read out by 91h is 20h, it indicates the device has Multi-Plane(4-Plane) operations. Figure 19-1 & 19-2 show the operation sequence.

Figure 19-1. Read ID (1) Operation

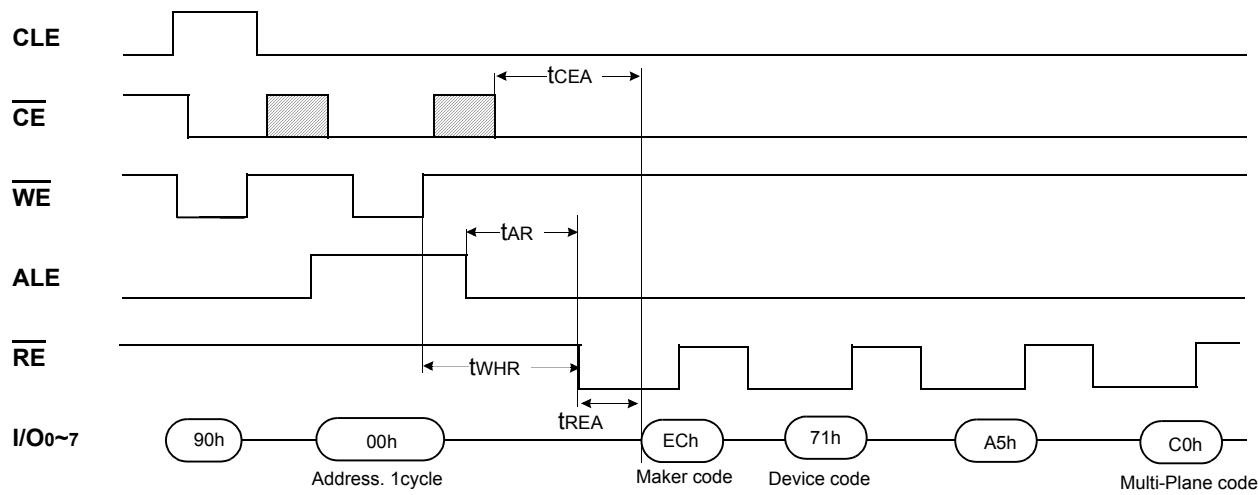
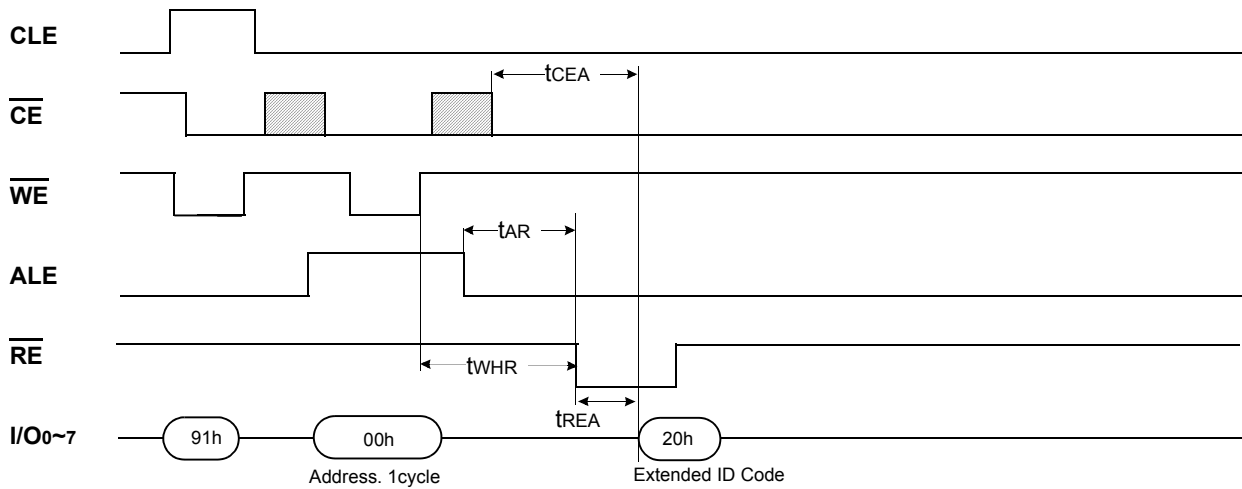


Figure 19-2. Read ID (2) Operation



RESET

The device offers a reset feature, executed by writing FFh to the command register. When the device is in Busy state during random read, program or erase mode, the reset operation will abort these operations. The contents of memory cells being altered are no longer valid, as the data will be partially programmed or erased. The command register is cleared to wait for the next command, and the Status Register is cleared to value C0h when WP is high. Refer to table 5 for device status after reset operation. If the device is already in reset state a new reset command will not be accepted by the command register. The R/B pin transitions to low for t_{RST} after the Reset command is written. Refer to Figure 20 below.

Figure 20. RESET Operation



Table5. Device Status

| | After Power-up | After Reset |
|----------------|----------------|--------------------------|
| Operation Mode | Read 1 | Waiting for next command |

READY/BUSY

The device has a $\overline{R/B}$ output that provides a hardware method of indicating the completion of a page program, erase and random read completion. The $\overline{R/B}$ pin is normally high but transitions to low after program or erase command is written to the command register or random read is started after address loading. It returns to high when the internal controller has finished the operation. The $\overline{R/B}$ pin is an open-drain driver thereby allowing two or more $\overline{R/B}$ outputs to be Or-tied. Because pull-up resistor value is related to $t_r(\overline{R/B})$ and current drain during busy (i_{busy}), an appropriate value can be obtained with the following reference chart (Fig 21). Its value can be determined by the following guidance.

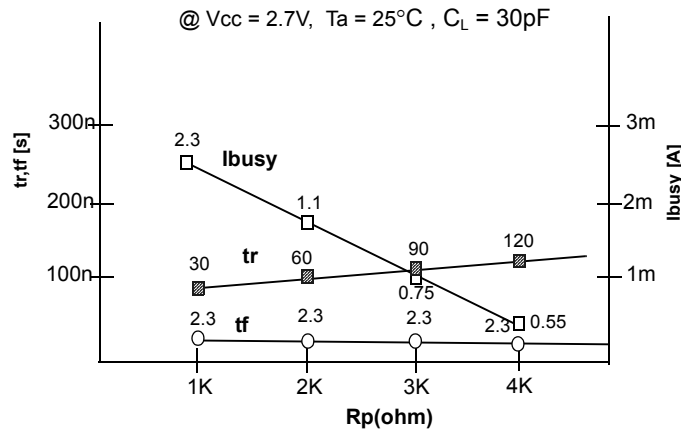
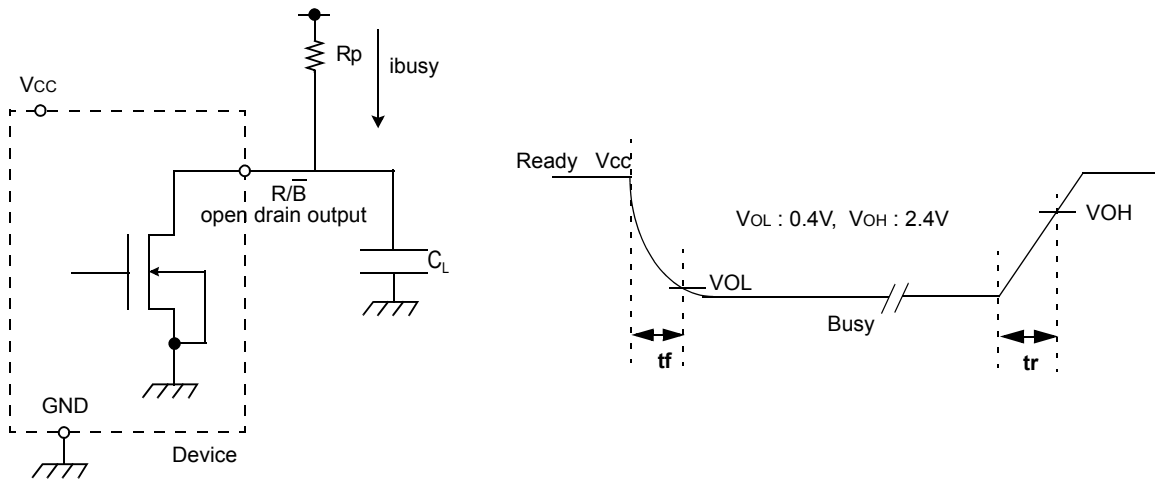


Fig 21 Rp vs tr ,tf & Rp vs ibusy

Rp value guidance

$$R_p(\min) = \frac{V_{cc}(\text{Max.}) - V_{OL}(\text{Max.})}{I_{OL} + \sum I_L} = \frac{2.5V}{8mA + \sum I_L}$$

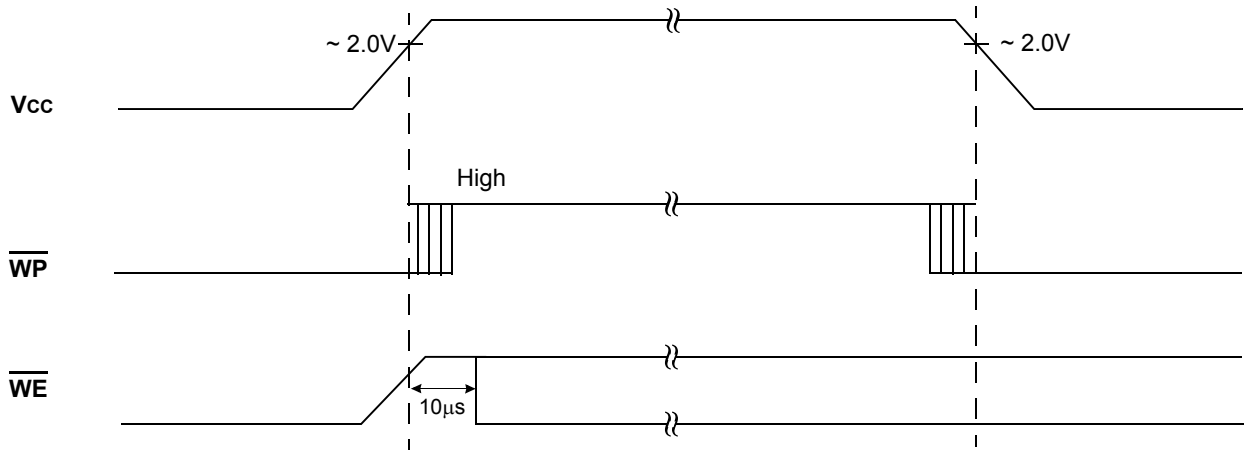
where I_L is the sum of the input currents of all devices tied to the $\overline{R/B}$ pin.

$R_p(\max)$ is determined by maximum permissible limit of t_r

Data Protection & Power-up sequence

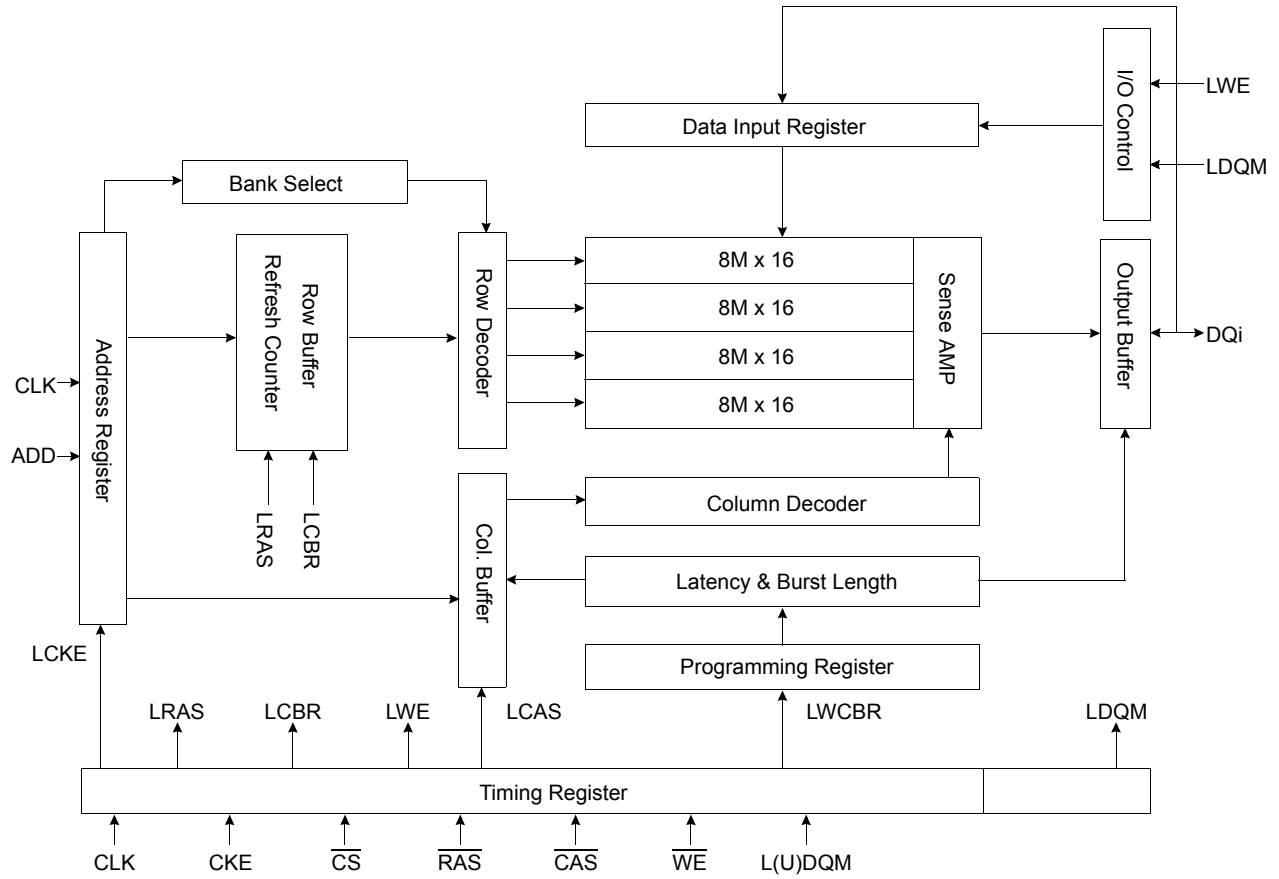
The device is designed to offer protection from any involuntary program/erase during power-transitions. An internal voltage detector disables all functions whenever V_{cc} is below about 1.8V. \overline{WP} pin provides hardware protection and is recommended to be kept at V_{IL} during power-up and power-down. A recovery time of minimum $10\mu s$ is required before internal circuit gets ready for any command sequences as shown in Figure 22. The two step command sequence for program/erase provides additional software protection.

Figure 22. AC Waveforms for Power Transition



512Mb(32Mb x 16)
Mobile SDRAM DDP F-Die

FUNCTIONAL BLOCK DIAGRAM



ABSOLUTE MAXIMUM RATINGS

| Parameter | Symbol | Value | Unit |
|---|------------------------------------|------------|------|
| Voltage on any pin relative to V _{SS} | V _{IN} , V _{OUT} | -1.0 ~ 2.6 | V |
| Voltage on V _{DD} supply relative to V _{SS} | V _{DD} , V _{DDQ} | -1.0 ~ 2.6 | V |
| Storage temperature | T _{STG} | -55 ~ +150 | °C |
| Power dissipation | P _D | 1.0 | W |
| Short circuit current | I _{OS} | 50 | mA |

NOTES:

Permanent device damage may occur if ABSOLUTE MAXIMUM RATINGS are exceeded.

Functional operation should be restricted to recommended operating condition.

Exposure to higher than recommended voltage for extended periods of time could affect device reliability.

DC OPERATING CONDITIONS

Recommended operating conditions (Voltage referenced to V_{SS} = 0V, T_A = -25 to 85°C)

| Parameter | Symbol | Min | Typ | Max | Unit | Note |
|---------------------------|------------------|------------------------|-----|------------------------|------|--------------------------|
| Supply voltage | V _{DD} | 1.7 | 1.8 | 1.95 | V | |
| | V _{DDQ} | 1.7 | 1.8 | 1.95 | V | |
| Input logic high voltage | V _{IH} | 0.8 x V _{DDQ} | 1.8 | V _{DDQ} + 0.3 | V | 1 |
| Input logic low voltage | V _{IL} | -0.3 | 0 | 0.3 | V | 2 |
| Output logic high voltage | V _{OH} | V _{DDQ} - 0.2 | - | - | V | I _{OH} = -0.1mA |
| Output logic low voltage | V _{OL} | - | - | 0.2 | V | I _{OL} = 0.1mA |
| Input leakage current | I _{LI} | -2 | - | 2 | uA | 3 |

NOTES :

1. V_{IH} (max) = 2.2V AC. The overshoot voltage duration is ≤ 3ns.

2. V_{IL} (min) = -1.0V AC. The undershoot voltage duration is ≤ 3ns.

3. Any input 0V ≤ V_{IN} ≤ V_{DDQ}.

Input leakage currents include Hi-Z output leakage for all bi-directional buffers with tri-state outputs.

4. Dout is disabled, 0V ≤ V_{OUT} ≤ V_{DDQ}.

CAPACITANCE (V_{DD} = 1.8V, T_A = 23°C, f = 1MHz, V_{REF} = 0.9V ± 50 mV)

| Pin | Symbol | Min | Max | Unit | Note |
|-----------------------|------------------|-----|-----|------|------|
| Clock | C _{CLK} | 2.5 | 6 | pF | |
| RAS, CAS, WE, CS, CKE | C _{IN} | 2.5 | 6 | pF | |
| DQM | C _{IN} | 1.5 | 3 | pF | |
| Address | C _{ADD} | 2.5 | 6 | pF | |
| DQ0 ~ DQ15 | C _{OUT} | 3 | 5 | pF | |

DC CHARACTERISTICSRecommended operating conditions (Voltage referenced to V_{SS} = 0V, T_A = -25 to 85°C)

| Parameter | Symbol | Test Condition | KBE00S003M-D411 111MHz@CL3 | | Unit | Note |
|---|--------------------|--|-------------------------------|---------------|---------------|------|
| Operating Current (One Bank Active) | I _{CC1} | Burst length = 1 t _{RC} ≥ t _{RC(min)} I _O = 0 mA | 80 | | mA | 1 |
| Precharge Standby Current in power-down mode | I _{CC2P} | CKE ≤ V _{IL(max)} , t _{CC} = 10ns | 0.6 | | mA | |
| | I _{CC2PS} | CKE & CLK ≤ V _{IL(max)} , t _{CC} = ∞ | 0.6 | | | |
| Precharge Standby Current in non power-down mode | I _{CC2N} | CKE ≥ V _{IH(min)} , \overline{CS} ≥ V _{IH(min)} , t _{CC} = 10ns Input signals are changed one time during 20ns | 20 | | mA | |
| | I _{CC2NS} | CKE ≥ V _{IH(min)} , CLK ≤ V _{IL(max)} , t _{CC} = ∞ Input signals are stable | 2 | | | |
| Active Standby Current in power-down mode | I _{CC3P} | CKE ≤ V _{IL(max)} , t _{CC} = 10ns | 10 | | mA | |
| | I _{CC3PS} | CKE & CLK ≤ V _{IL(max)} , t _{CC} = ∞ | 2 | | | |
| Active Standby Current in non power-down mode (One Bank Active) | I _{CC3N} | CKE ≥ V _{IH(min)} , \overline{CS} ≥ V _{IH(min)} , t _{CC} = 10ns Input signals are changed one time during 20ns | 40 | | mA | |
| | I _{CC3NS} | CKE ≥ V _{IH(min)} , CLK ≤ V _{IL(max)} , t _{CC} = ∞ Input signals are stable | 10 | | | |
| Operating Current (Burst Mode) | I _{CC4} | I _O = 0 mA Page burst 4Banks Activated t _{CCD} = 2CLKs | 120 | | mA | 1 |
| Refresh Current | I _{CC5} | t _{ARFC} ≥ t _{ARFC(min)} | 130 | | mA | |
| Self Refresh Current | I _{CC6} | CKE ≤ 0.2V | TCSR Range | Max 40 | Max 85 | °C |
| | | | Full Array | 300 | 800 | |
| | | | 1/2 of Full Array | 240 | 600 | |
| | | | 1/4 of Full Array | 200 | 500 | |

NOTES:

1. Measured with outputs open.
2. Unless otherwise noted, input swing level is CMOS(V_{IH} /V_{IL}=V_{DDQ}/V_{SSQ}).

AC OPERATING TEST CONDITIONS ($V_{DD} = 1.7V \sim 1.95V$, $T_A = -25$ to $85^\circ C$)

| Parameter | Value | Unit |
|---|----------------------------|------|
| AC input levels (V_{ih}/V_{il}) | $0.9 \times V_{DDQ} / 0.2$ | V |
| Input timing measurement reference level | $0.5 \times V_{DDQ}$ | V |
| Input rise and fall time | $t_r/t_f = 1/1$ | ns |
| Output timing measurement reference level | $0.5 \times V_{DDQ}$ | V |
| Output load condition | See Figure 2 | |

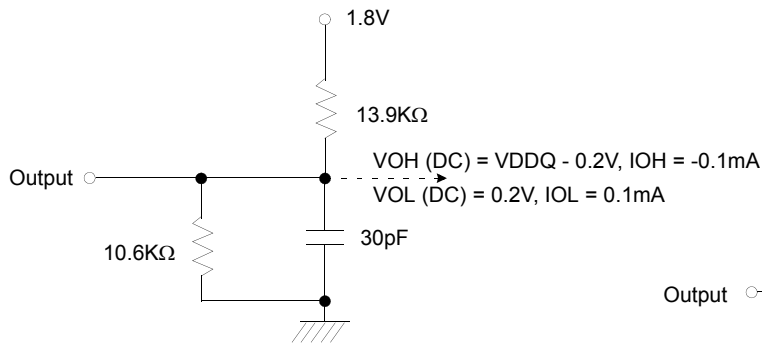


Figure 1. DC Output Load Circuit

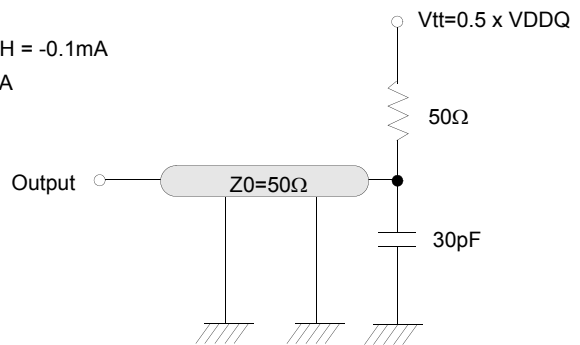


Figure 2. AC Output Load Circuit

OPERATING AC PARAMETER

(AC operating conditions unless otherwise noted)

| Parameter | Symbol | KBE00S003M-D411 111MHz@CL3 | Unit | Note |
|--|---------------|-------------------------------|------|------|
| Row active to row active delay | tRRD(min) | 18 | ns | 1 |
| $\overline{\text{RAS}}$ to $\overline{\text{CAS}}$ delay | tRCD(min) | 27 | ns | 1 |
| Row precharge time | tRP(min) | 27 | ns | 1 |
| Row active time | tRAS(min) | 50 | ns | 1 |
| | tRAS(max) | 100 | us | |
| Row cycle time | tRC(min) | 77 | ns | 1 |
| Last data in to row precharge | tRDL(min) | 15 | ns | 2 |
| Last data in to Active delay | tDAL(min) | tRDL + tRP | - | |
| Last data in to new col. address delay | tCDL(min) | 1 | CLK | 2 |
| Last data in to burst stop | tBDL(min) | 1 | CLK | 2 |
| Auto refresh cycle time | tARFC(min) | 80 | ns | |
| Exit self refresh to active command | tSRFX(min) | 120 | ns | |
| Col. address to col. address delay | tCCD(min) | 1 | CLK | 3 |
| Number of valid output data | CAS latency=3 | 2 | ea | 4 |
| Number of valid output data | CAS latency=2 | 1 | | |
| Number of valid output data | CAS latency=1 | 0 | | |

NOTES:

1. The minimum number of clock cycles is determined by dividing the minimum time required with clock cycle time and then rounding off to the next higher integer.
2. Minimum delay is required to complete write.
3. All parts allow every cycle column address change.
4. In case of row precharge interrupt, auto precharge and read burst stop.

AC CHARACTERISTICS(AC operating conditions unless otherwise noted)

| Parameter | | Symbol | KBE00S003M-D411 111MHz@CL3 | | Unit | Note |
|---------------------------|---------------|--------|-------------------------------|------|------|------|
| | | | Min | Max | | |
| CLK cycle time | CAS latency=3 | tcc | 9 | 1000 | ns | 1 |
| | CAS latency=2 | tcc | 15 | | | |
| | CAS latency=1 | tcc | 25 | | | |
| CLK to valid output delay | CAS latency=3 | tsac | | 7 | ns | 1,2 |
| | CAS latency=2 | tsac | | 10 | | |
| | CAS latency=1 | tsac | | 20 | | |
| Output data hold time | CAS latency=3 | toH | 2.0 | | ns | 2 |
| | CAS latency=2 | toH | 2.0 | | | |
| | CAS latency=1 | toH | 2.0 | | | |
| CLK high pulse width | | tCH | 3.0 | | ns | 3 |
| CLK low pulse width | | tCL | 3.0 | | ns | 3 |
| Input setup time | | tSS | 2.0 | | ns | 3 |
| Input hold time | | tSH | 1.5 | | ns | 3 |
| CLK to output in Low-Z | | tSLZ | 1 | | ns | 2 |
| CLK to output in Hi-Z | CAS latency=3 | tSHZ | | 7 | ns | |
| | CAS latency=2 | | | 10 | | |
| | CAS latency=1 | | | 20 | | |

NOTES :

- Parameters depend on programmed CAS latency.
- If clock rising time is longer than 1ns, (tr/2-0.5)ns should be added to the parameter.
- Assumed input rise and fall time (tr & tf) = 1ns.
If tr & tf is longer than 1ns, transient time compensation should be considered,

SIMPLIFIED TRUTH TABLE

| COMMAND | | CKEn-1 | CKEn | \overline{CS} | \overline{RAS} | \overline{CAS} | \overline{WE} | DQM | BA0,1 | A10/AP | A12,A11, A9 ~ A0 | Note |
|------------------------------------|------------------------|--------|-------|-----------------|------------------|------------------|-----------------|-----|---------|-------------|------------------------|------|
| Register | Mode Register Set | H | X | L | L | L | L | X | OP CODE | | | 1, 2 |
| Refresh | Auto Refresh | H | H | L | L | L | H | X | X | X | X | 3 |
| | Self Refresh | | Entry | | | | | | | | | L |
| | | Exit | L | H | L | H | H | H | X | X | 3 | |
| | | | H | X | X | X | X | X | X | 3 | | |
| Bank Active & Row Addr. | | H | X | L | L | H | H | X | V | Row Address | | |
| Read & Column Address | Auto Precharge Disable | H | X | L | H | L | H | X | V | L | Column Address (A0~A9) | 4 |
| | Auto Precharge Enable | | | | | | | | | H | | 4, 5 |
| Write & Column Address | Auto Precharge Disable | H | X | L | H | L | L | X | V | L | Column Address (A0~A9) | 4 |
| | Auto Precharge Enable | | | | | | | | | H | | 4, 5 |
| Burst Stop | | H | X | L | H | H | L | X | X | | | 6 |
| Precharge | Bank Selection | H | X | L | L | H | L | X | V | L | X | |
| | All Banks | | | | | | | | X | H | | |
| Clock Suspend or Active Power Down | Entry | H | L | H | X | X | X | X | X | X | X | |
| | | | | L | V | V | V | | | | | |
| Precharge Power Down Mode | Entry | H | L | H | X | X | X | X | X | X | X | |
| | | | | L | H | H | H | | | | | |
| | Exit | L | H | H | X | X | X | X | X | X | X | |
| | | | | L | V | V | V | | | | | |
| DQM | | H | X | X | | | | V | X | | | 7 |
| No Operation Command | | H | X | H | X | X | X | X | X | X | X | |
| | | | | L | H | H | H | | | | | |

(V=Valid, X=Don't Care, H=Logic High, L=Logic Low)

NOTES :

- OP Code : Operand Code
A0 ~ A12 & BA0 ~ BA1 : Program keys. (@MRS)
- MRS can be issued only at all banks precharge state.
A new command can be issued after 2 CLK cycles of MRS.
- Auto refresh functions are the same as CBR refresh of DRAM.
The automatical precharge without row precharge command is meant by "Auto".
Auto/self refresh can be issued only at all banks precharge state.
Partial self refresh can be issued only after setting partial self refresh mode of EMRS.
- BA0 ~ BA1 : Bank select addresses.
- During burst read or write with auto precharge, new read/write command can not be issued.
Another bank read/write command can be issued after the end of burst.
New row active of the associated bank can be issued at tRP after the end of burst.
- Burst stop command is valid at every burst length.
- DQM sampled at the positive going edge of CLK masks the data-in at that same CLK in write operation (Write DQM latency is 0), but in read operation, it makes the data-out Hi-Z state after 2 CLK cycles. (Read DQM latency is 2).

A. MODE REGISTER FIELD TABLE TO PROGRAM MODES

Register Programmed with Normal MRS

| Address | BA0 ~ BA1 | A12 ~ A10/AP | A9*2 | A8 | A7 | A6 | A5 | A4 | A3 | A2 | A1 | A0 |
|----------|----------------------------|--------------|-------|-----------|----|-------------|----|----|----|--------------|----|----|
| Function | "0" Setting for Normal MRS | RFU*1 | W.B.L | Test Mode | | CAS Latency | | | BT | Burst Length | | |

Normal MRS Mode

| Test Mode | | | CAS Latency | | | | Burst Type | | | Burst Length | | | | |
|--------------------|------------|-------------------|-------------|----|----|----------|-------------|------------|------------------------|--------------|----|----|-----------|----------|
| A8 | A7 | Type | A6 | A5 | A4 | Latency | A3 | Type | | A2 | A1 | A0 | BT=0 | BT=1 |
| 0 | 0 | Mode Register Set | 0 | 0 | 0 | Reserved | 0 | Sequential | | 0 | 0 | 0 | 1 | 1 |
| 0 | 1 | Reserved | 0 | 0 | 1 | 1 | 1 | Interleave | | 0 | 0 | 1 | 2 | 2 |
| 1 | 0 | Reserved | 0 | 1 | 0 | 2 | Mode Select | | | 0 | 1 | 0 | 4 | 4 |
| 1 | 1 | Reserved | 0 | 1 | 1 | 3 | BA1 | BA0 | Mode | 0 | 1 | 1 | 8 | 8 |
| Write Burst Length | | | 1 | 0 | 0 | Reserved | 0 | 0 | Setting for Normal MRS | 1 | 0 | 0 | Reserved | Reserved |
| A9 | Length | | 1 | 0 | 1 | Reserved | | | | 1 | 0 | 1 | Reserved | Reserved |
| 0 | Burst | | 1 | 1 | 0 | Reserved | | | | 1 | 1 | 0 | Reserved | Reserved |
| 1 | Single Bit | | 1 | 1 | 1 | Reserved | | | | 1 | 1 | 1 | Full Page | Reserved |

Full Page Length x16 : 512Mb(1024)

Register Programmed with Extended MRS

| Address | BA1 | BA0 | A12 ~ A10/AP | A9 | A8 | A7 | A6 | A5 | A4 | A3 | A2 | A1 | A0 |
|----------|-------------|-----|--------------|----|----|----|----|----|-------|----|------|----|----|
| Function | Mode Select | | RFU*1 | | | | DS | | RFU*1 | | PASR | | |

EMRS for PASR(Partial Array Self Ref.) & DS(Driver Strength)

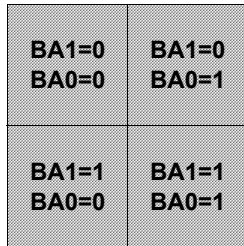
| Mode Select | | | Driver Strength | | | | PASR | | | | |
|------------------|-----|-----------------------|-----------------|----|-----------------|----|------|----|----|------------------------|--|
| BA1 | BA0 | Mode | A6 | A5 | Driver Strength | | A2 | A1 | A0 | Size of Refreshed Area | |
| 0 | 0 | Normal MRS | 0 | 0 | Full | | 0 | 0 | 0 | Full Array | |
| 0 | 1 | Reserved | 0 | 1 | 1/2 | | 0 | 0 | 1 | 1/2 of Full Array | |
| 1 | 0 | EMRS for Mobile SDRAM | 1 | 0 | 1/4 | | 0 | 1 | 0 | 1/4 of Full Array | |
| 1 | 1 | Reserved | 1 | 1 | 1/8 | | 0 | 1 | 1 | Reserved | |
| Reserved Address | | | | | | | 1 | 0 | 0 | Reserved | |
| A12~A10/AP | | A9 | A8 | A7 | A4 | A3 | 1 | 0 | 1 | Reserved | |
| 0 | | 0 | 0 | 0 | 0 | 0 | 1 | 1 | 0 | Reserved | |
| | | | | | | | 1 | 1 | 1 | Reserved | |

NOTES:

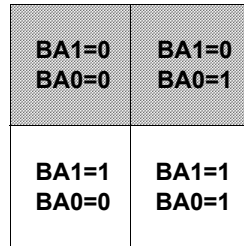
- 1.RFU(Reserved for future use) should stay "0" during MRS cycle.
- 2.If A9 is high during MRS cycle, "Burst Read Single Bit Write" function will be enabled.

Partial Array Self Refresh

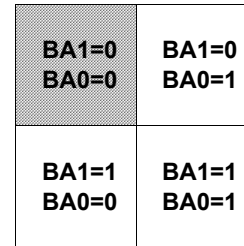
1. In order to save power consumption, Mobile SDRAM has PASR option.
2. Mobile SDRAM supports 3 kinds of PASR in self refresh mode : Full Array, 1/2 of Full Array, 1/4 of Full Array



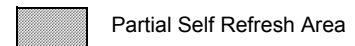
- Full Array



- 1/2 Array



- 1/4 Array



Internal Temperature Compensated Self Refresh (TCSR)

Note :

1. In order to save power consumption, Mobile-SDRAM includes the internal temperature sensor and control units to control the self refresh cycle automatically according to the two temperature range ; Max. 40 °C, Max. 85 °C.
2. If the EMRS for external TCSR is issued by the controller, this EMRS code for TCSR is ignored.

| Temperature Range | Self Refresh Current (Icc 6) | | | Unit |
|-------------------|------------------------------|-------------------|-------------------|------|
| | Full Array | 1/2 of Full Array | 1/4 of Full Array | |
| Max. 40 °C | 300 | 240 | 200 | uA |
| Max. 85 °C | 800 | 600 | 500 | |

B. POWER UP SEQUENCE

1. Apply power and attempt to maintain CKE at a high state and all other inputs may be undefined.
- Apply VDD before or at the same time as VDDQ.
2. Maintain stable power, stable clock and NOP input condition for a minimum of 200us.
3. Issue precharge commands for all banks of the devices.
4. Issue 2 or more auto-refresh commands.
5. Issue a mode register set command to initialize the mode register.
6. Issue a extended mode register set command to define DS or PASR operating type of the device after normal MRS.

EMRS cycle is not mandatory and the EMRS command needs to be issued only when DS or PASR is used.

The default state without EMRS command issued is the half driver strength and full array refreshed.

The device is now ready for the operation selected by EMRS.

For operating with DS or PASR , set DS or PASR mode in EMRS setting stage.

In order to adjust another mode in the state of DS or PASR mode, additional EMRS set is required but power up sequence is not needed again at this time. In that case, all banks have to be in idle state prior to adjusting EMRS set.

C. BURST SEQUENCE

1. BURST LENGTH = 4

| Initial Address | | Sequential | | | | Interleave | | | |
|-----------------|----|------------|---|---|---|------------|---|---|---|
| A1 | A0 | | | | | | | | |
| 0 | 0 | 0 | 1 | 2 | 3 | 0 | 1 | 2 | 3 |
| 0 | 1 | 1 | 2 | 3 | 0 | 1 | 0 | 3 | 2 |
| 1 | 0 | 2 | 3 | 0 | 1 | 2 | 3 | 0 | 1 |
| 1 | 1 | 3 | 0 | 1 | 2 | 3 | 2 | 1 | 0 |

2. BURST LENGTH = 8

| Initial Address | | | Sequential | | | | | | | | Interleave | | | | | | | |
|-----------------|----|----|------------|---|---|---|---|---|---|---|------------|---|---|---|---|---|---|---|
| A2 | A1 | A0 | | | | | | | | | | | | | | | | |
| 0 | 0 | 0 | 0 | 1 | 2 | 3 | 4 | 5 | 6 | 7 | 0 | 1 | 2 | 3 | 4 | 5 | 6 | 7 |
| 0 | 0 | 1 | 1 | 2 | 3 | 4 | 5 | 6 | 7 | 0 | 1 | 0 | 3 | 2 | 5 | 4 | 7 | 6 |
| 0 | 1 | 0 | 2 | 3 | 4 | 5 | 6 | 7 | 0 | 1 | 2 | 3 | 0 | 1 | 6 | 7 | 4 | 5 |
| 0 | 1 | 1 | 3 | 4 | 5 | 6 | 7 | 0 | 1 | 2 | 3 | 2 | 1 | 0 | 7 | 6 | 5 | 4 |
| 1 | 0 | 0 | 4 | 5 | 6 | 7 | 0 | 1 | 2 | 3 | 4 | 5 | 6 | 7 | 0 | 1 | 2 | 3 |
| 1 | 0 | 1 | 5 | 6 | 7 | 0 | 1 | 2 | 3 | 4 | 5 | 4 | 7 | 6 | 1 | 0 | 3 | 2 |
| 1 | 1 | 0 | 6 | 7 | 0 | 1 | 2 | 3 | 4 | 5 | 6 | 7 | 4 | 5 | 2 | 3 | 0 | 1 |
| 1 | 1 | 1 | 7 | 0 | 1 | 2 | 3 | 4 | 5 | 6 | 7 | 6 | 5 | 4 | 3 | 2 | 1 | 0 |

D. DEVICE OPERATIONS**ADDRESSES of 512Mb****BANK ADDRESSES (BA0 ~ BA1)**

This SDRAM is organized as four independent banks of 8,388,608 words x 16 bits memory arrays. The BA0 ~ BA1 inputs are latched at the time of assertion of $\overline{\text{RAS}}$ and $\overline{\text{CAS}}$ to select the bank to be used for the operation. The bank addresses BA0 ~ BA1 are latched at bank active, read, write, mode register set and precharge operations.

ADDRESS INPUTS (A0 ~ A12)

The 23 address bits are required to decode the 8,388,608 word locations are multiplexed into 13 address input pins (A0 ~ A12). The 13 bit row addresses are latched along with $\overline{\text{RAS}}$ and BA0 ~ BA1 during bank activate command. The 10 bit column addresses are latched along with $\overline{\text{CAS}}$, $\overline{\text{WE}}$ and BA0 ~ BA1 during read or write command.

D. DEVICE OPERATIONS (continued)**CLOCK (CLK)**

The clock input is used as the reference for all SDRAM operations. All operations are synchronized to the positive going edge of the clock. The clock transitions must be monotonic between V_{IL} and V_{IH} . During operation with CKE high all inputs are assumed to be in a valid state (low or high) for the duration of set-up and hold time around positive edge of the clock in order to function well Q perform and ICC specifications.

CLOCK ENABLE (CKE)

The clock enable (CKE) gates the clock onto SDRAM. If CKE goes low synchronously with clock (set-up and hold time are the same as other inputs), the internal clock is suspended from the next clock cycle and the state of output and burst address is frozen as long as the CKE remains low. All other inputs are ignored from the next clock cycle after CKE goes low. When all banks are in the idle state and CKE goes low synchronously with clock, the SDRAM enters the power down mode from the next clock cycle. The SDRAM remains in the power down mode ignoring the other inputs as long as CKE remains low. The power down exit is synchronous as the internal clock is suspended. When CKE goes high at least "1CLK + tSS" before the high going edge of the clock, then the SDRAM becomes active from the same clock edge accepting all the input commands.

NOP and DEVICE DESELECT

When \overline{RAS} , \overline{CAS} and \overline{WE} are high, the SDRAM performs no operation (NOP). NOP does not initiate any new operation, but is needed to complete operations which require more than single clock cycle like bank activate, burst read, auto refresh, etc. The device deselect is also a NOP and is entered by asserting \overline{CS} high. \overline{CS} high disables the command decoder so that \overline{RAS} , \overline{CAS} , \overline{WE} and all the address inputs are ignored.

DQM OPERATION

The DQM is used to mask input and output operations. It works similar to \overline{OE} during read operation and inhibits writing during write operation. The read latency is two cycles from DQM and zero cycle for write, which means DQM masking occurs two cycles later in read cycle and occurs in the same cycle during write cycle. DQM operation is synchronous with the clock. The DQM signal is important during burst interruptions of write with read or precharge in the SDRAM. Due to asynchronous nature of the internal write, the DQM operation is critical to avoid unwanted or incomplete writes when the complete burst write is not required. Please refer to DQM timing diagram also.

MODE REGISTER SET (MRS)

The mode register stores the data for controlling the various operating modes of SDRAM. It programs the CAS latency, burst type, burst length, test mode and various vendor specific options to make SDRAM useful for variety of different applications. The default value of the mode register is not defined, therefore the mode register must be written after power up to operate the SDRAM. The mode register is written by asserting low on \overline{CS} , \overline{RAS} , \overline{CAS} and \overline{WE} (The SDRAM should be in active mode with CKE already high prior to writing the mode register). The state of address pins A0 ~ An and BA0 ~ BA1 in the same cycle as \overline{CS} , \overline{RAS} , \overline{CAS} and \overline{WE} going low is the data written in the mode register. Two clock cycles is required to complete the write in the mode register. The mode register contents can be changed using the same command and clock cycle requirements during operation as long as all banks are in the idle state. The mode register is divided into various fields depending on the fields of functions. The burst length field uses A0 ~ A2, burst type uses A3, CAS latency (read latency from column address) use A4 ~ A6, vendor specific options or test mode use A7 ~ A8, A10/AP ~ An and BA0 ~ BA1. The write burst length is programmed using A9. A7 ~ A8, A10/AP ~ An and BA0 ~ BA1 must be set to low for normal SDRAM operation. Refer to the table for specific codes for various burst length, burst type and CAS latencies.

D. DEVICE OPERATIONS (continued)**EXTENDED MODE REGISTER SET (EMRS)**

The extended mode register stores the data for selecting driver strength and partial self refresh. EMRS cycle is not mandatory and the EMRS command needs to be issued only when DS or PASR is used. The default state without EMRS command issued is the half driver strength, and full array refreshed. The extended mode register is written by asserting low on \overline{CS} , \overline{RAS} , \overline{CAS} , \overline{WE} and high on BA1, low on BA0 (The SDRAM should be in all bank precharge with CKE already high prior to writing into the extended mode register). The state of address pins A0 ~ A12 in the same cycle as \overline{CS} , \overline{RAS} , \overline{CAS} and \overline{WE} going low is written in the extended mode register. Two clock cycles are required to complete the write operation in the extended mode register. The mode register contents can be changed using the same command and clock cycle requirements during operation as long as all banks are in the idle state. A0 - A2 are used for partial self refresh, A5 - A6 are used for Driver strength, "Low" on BA0 and "High" on BA1 are used for EMRS. All the other address pins except A0-A2, A5-A6, and BA1, BA0 must be set to low for proper EMRS operation. Refer to the table for specific codes.

BANK ACTIVATE.

The bank activate command is used to select a random row in an idle bank. By asserting low on \overline{RAS} and \overline{CS} with desired row and bank address, a row access is initiated. The read or write operation can occur after a time delay of $t_{RC}(min)$ from the time of bank activation. t_{RC} is an internal timing parameter of SDRAM, therefore it is dependent on operating clock frequency. The minimum number of clock cycles required between bank activate and read or write command should be calculated by dividing $t_{RC}(min)$ with cycle time of the clock and then rounding off the result to the next higher integer.

The SDRAM has four internal banks in the same chip and shares part of the internal circuitry to reduce chip area, therefore it restricts the activation of four banks simultaneously. Also the noise generated during sensing of each bank of SDRAM is high, requiring some time for power supplies to recover before another bank can be sensed reliably. $t_{RRD}(min)$ specifies the minimum time required between activating different bank. The number of clock cycles required between different bank activation must be calculated similar to t_{RC} specification. The minimum time required for the bank to be active to initiate sensing and restoring the complete row of dynamic cells is determined by $t_{RAS}(min)$. Every SDRAM bank activate command must satisfy $t_{RAS}(min)$ specification before a precharge command to that active bank can be asserted. The maximum time any bank can be in the active state is determined by $t_{RAS}(max)$. The number of cycles for both $t_{RAS}(min)$ and $t_{RAS}(max)$ can be calculated similar to t_{RC} specification.

BURST READ

The burst read command is used to access burst of data on consecutive clock cycles from an active row in an active bank. The burst read command is issued by asserting low on \overline{CS} and \overline{CAS} with \overline{WE} being high on the positive edge of the clock. The bank must be active for at least $t_{RC}(min)$ before the burst read command is issued. The first output appears in CAS latency number of clock cycles after the issue of burst read command. The burst length, burst sequence and latency from the burst read command is determined by the mode register which is already programmed. The burst read can be initiated on any column address of the active row. The address wraps around if the initial address does not start from a boundary such that number of outputs from each I/O are equal to the burst length programmed in the mode register. The output goes into high-impedance at the end of the burst, unless a new burst read was initiated to keep the data output gapless. The burst read can be terminated by issuing another burst read or burst write in the same bank or the other active bank or a precharge command to the same bank. The burst stop command is valid at every page burst length.

D. DEVICE OPERATIONS (continued)**BURST WRITE**

The burst write command is similar to burst read command and is used to write data into the SDRAM on consecutive clock cycles in adjacent addresses depending on burst length and burst sequence. By asserting low on \overline{CS} , \overline{CAS} and \overline{WE} with valid column address, a write burst is initiated. The data inputs are provided for the initial address in the same clock cycle as the burst write command. The input buffer is deselected at the end of the burst length, even though the internal writing can be completed yet. The writing can be completed by issuing a burst read and DQM for blocking data inputs or burst write in the same or another active bank. The burst stop command is valid at every burst length. The write burst can also be terminated by using DQM for blocking data and precharging the bank \overline{trDL} after the last data input to be written into the active row. See DQM OPERATION also.

ALL BANKS PRECHARGE

All banks can be precharged at the same time by using Precharge all command. Asserting low on \overline{CS} , \overline{RAS} , and \overline{WE} with high on A10/AP after all banks have satisfied $\overline{trAS}(\min)$ requirement, performs precharge on all banks. At the end of \overline{trP} after performing precharge to all the banks, all banks are in idle state.

PRECHARGE

The precharge operation is performed on an active bank by asserting low on \overline{CS} , \overline{RAS} , \overline{WE} and A10/AP with valid BA0 ~ BA1 of the bank to be precharged. The precharge command can be asserted anytime after $\overline{trAS}(\min)$ is satisfied from the bank active command in the desired bank. \overline{trP} is defined as the minimum number of clock cycles required to complete row precharge is calculated by dividing \overline{trP} with clock cycle time and rounding up to the next higher integer. Care should be taken to make sure that burst write is completed or DQM is used to inhibit writing before precharge command is asserted. The maximum time any bank can be active is specified by $\overline{trAS}(\max)$. Therefore, each bank activate command. At the end of precharge, the bank enters the idle state and is ready to be activated again. Entry to Power down, Auto refresh, Self refresh and Mode register set etc. is possible only when all banks are in idle state.

AUTO PRECHARGE

The precharge operation can also be performed by using auto precharge. The SDRAM internally generates the timing to satisfy $\overline{trAS}(\min)$ and " \overline{trP} " for the programmed burst length and \overline{CAS} latency. The auto precharge command is issued at the same time as burst read or burst write by asserting high on A10/AP. If burst read or burst write by asserting high on A10/AP, the bank is left active until a new command is asserted. Once auto precharge command is given, no new commands are possible to that particular bank until the bank achieves idle state.

AUTO REFRESH

The storage cells of 64Mb, 128Mb, 256Mb and 512Mb SDRAM need to be refreshed every 64ms to maintain data. An auto refresh cycle accomplishes refresh of a single row of storage cells. The internal counter increments automatically on every auto refresh cycle to refresh all the rows. An auto refresh command is issued by asserting low on \overline{CS} , \overline{RAS} and \overline{CAS} with high on CKE and \overline{WE} . The auto refresh command can only be asserted with all banks being in idle state and the device is not in power down mode (CKE is high in the previous cycle). The time required to complete the auto refresh operation is specified by $\overline{trRFC}(\min)$. The minimum number of clock cycles required can be calculated by driving \overline{trRFC} with clock cycle time and then rounding up to the next higher integer. The auto refresh command must be followed by NOP's until the auto refresh operation is completed. All banks will be in the idle state at the end of auto refresh operation. The auto refresh is the preferred refresh mode when the SDRAM is being used for normal data transactions. The 64Mb and 128Mb SDRAM's auto refresh cycle can be performed once in 15.6us or a burst of 4096 auto refresh cycles once in 64ms. The 256Mb and 512Mb SDRAM's auto refresh cycle can be performed once in 7.8us or a burst of 8192 auto refresh cycles once in 64ms.

D. DEVICE OPERATIONS(continued)***SELF REFRESH***

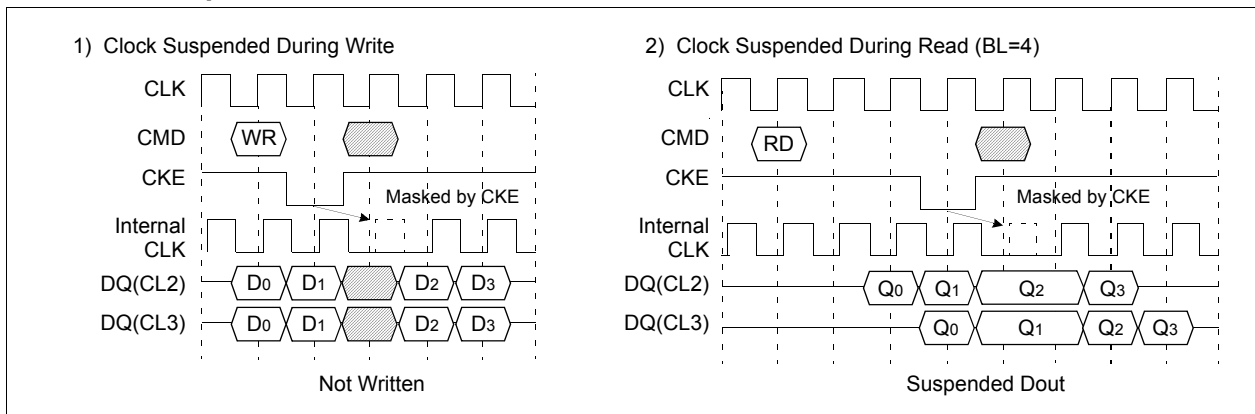
The self refresh is another refresh mode available in the SDRAM. The self refresh is the preferred refresh mode for data retention and low power operation of SDRAM. In self refresh mode, the SDRAM disables the internal clock and all the input buffers except CKE. The refresh addressing and timing are internally generated to reduce power consumption.

The self refresh mode is entered from all banks idle state by asserting low on \overline{CS} , \overline{RAS} , \overline{CAS} and CKE with high on \overline{WE} . Once the self refresh mode is entered, only CKE state being low matters, all the other inputs including the clock are ignored in order to remain in the self refresh mode.

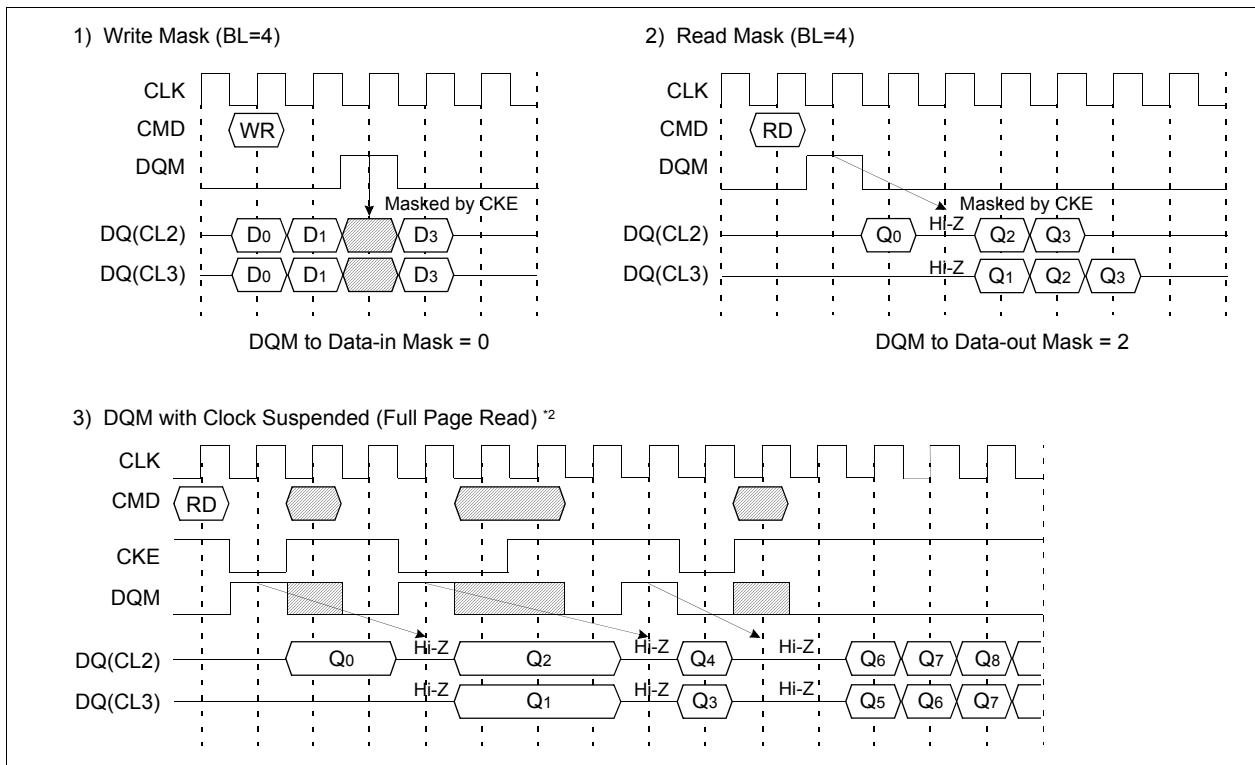
The self refresh is exited by restarting the external clock and then asserting high on CKE. This must be followed by NOP's for a minimum time of t_{SRFX} before the SDRAM reaches idle state to begin normal operation. In case that the system uses burst auto refresh during normal operation, it is recommended to use burst 8192 auto refresh cycles for 256Mb and 512Mb, and burst 4096 auto refresh cycles for 128Mb and 64Mb immediately before entering self refresh mode and after exiting in self refresh mode. On the other hand, if the system uses the distributed auto refresh, the system only has to keep the refresh duty cycle.

E. BASIC FEATURE AND FUNCTION DESCRIPTIONS

1. CLOCK Suspend



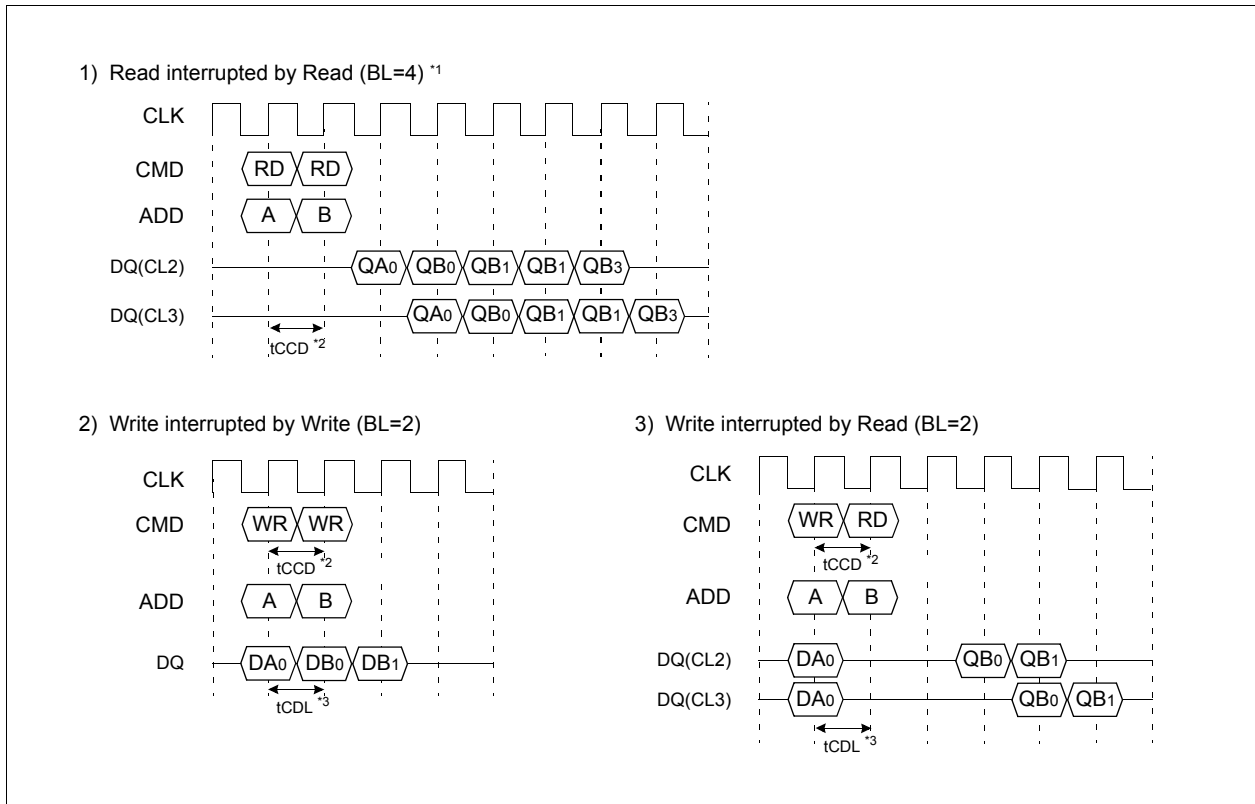
2. DQM Operation



*NOTE :

1. CKE to CLK disable/enable = 1CLK.
2. DQM makes data out Hi-Z after 2CLKs which should be masked by CKE " L"
3. DQM masks both data-in and data-out.

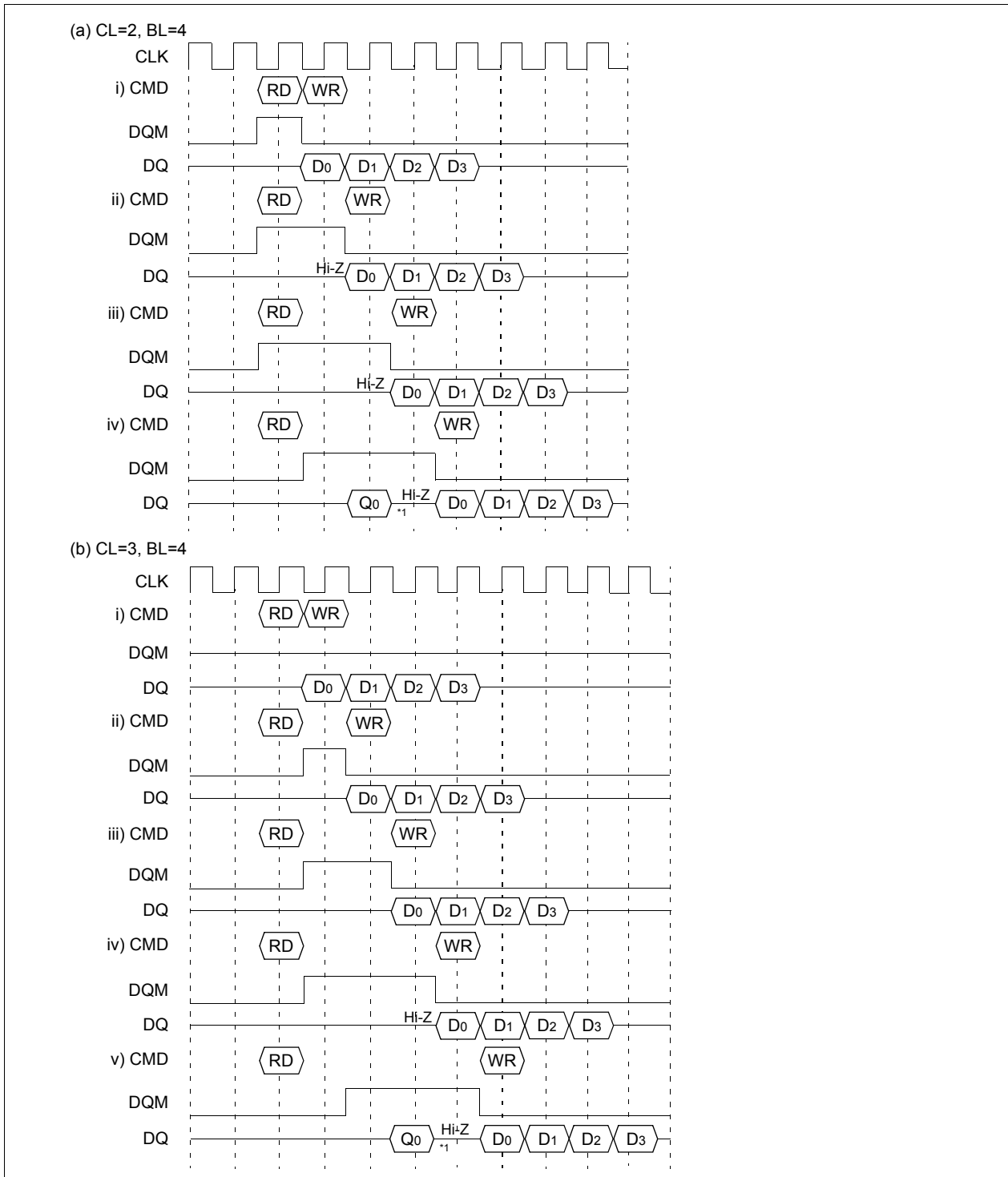
3. CAS Interrupt (I)



***NOTE:**

1. By "Interrupt", It is meant to stop burst read/write by external command before the end of burst.
By "CAS Interrupt", to stop burst read/write by CAS access ; read and write.
2. t_{CCD} : CAS to CAS delay. (=1CLK)
3. t_{CDL} : Last data in to new column address delay. (=1CLK)

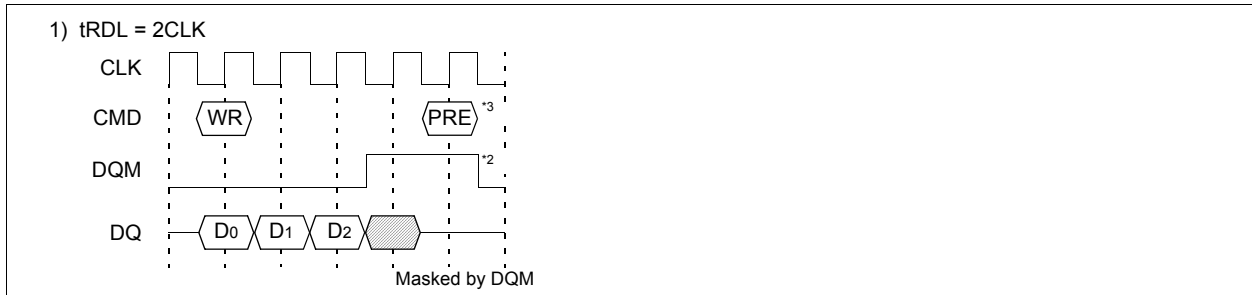
4. $\overline{\text{CAS}}$ Interrupt (II) : Read Interrupted by Write & DQM



***NOTE:**

1. To prevent bus contention, there should be at least one gap between data in and data out.

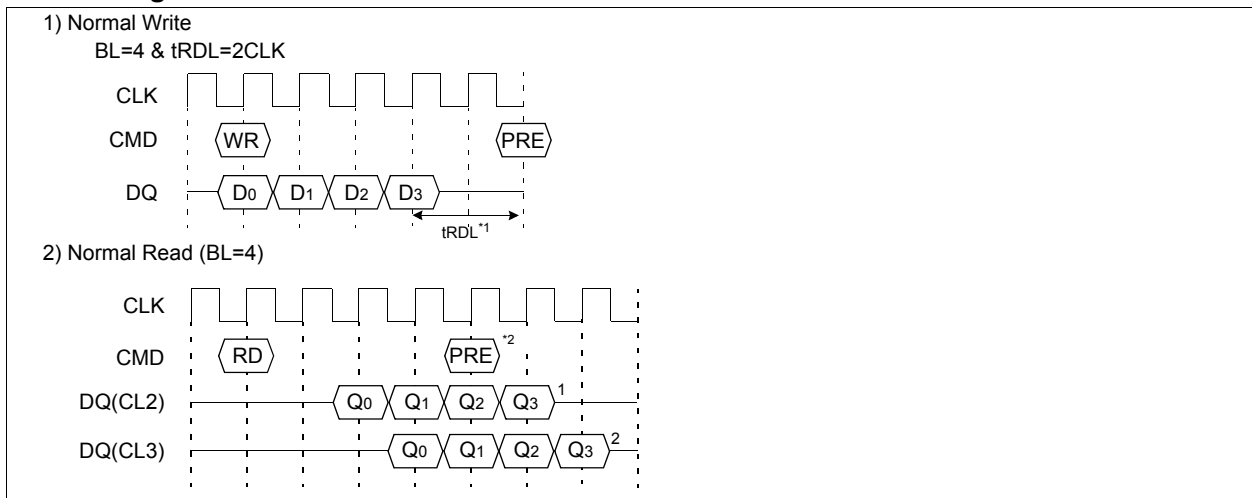
5. Write Interrupted by Precharge & DQM



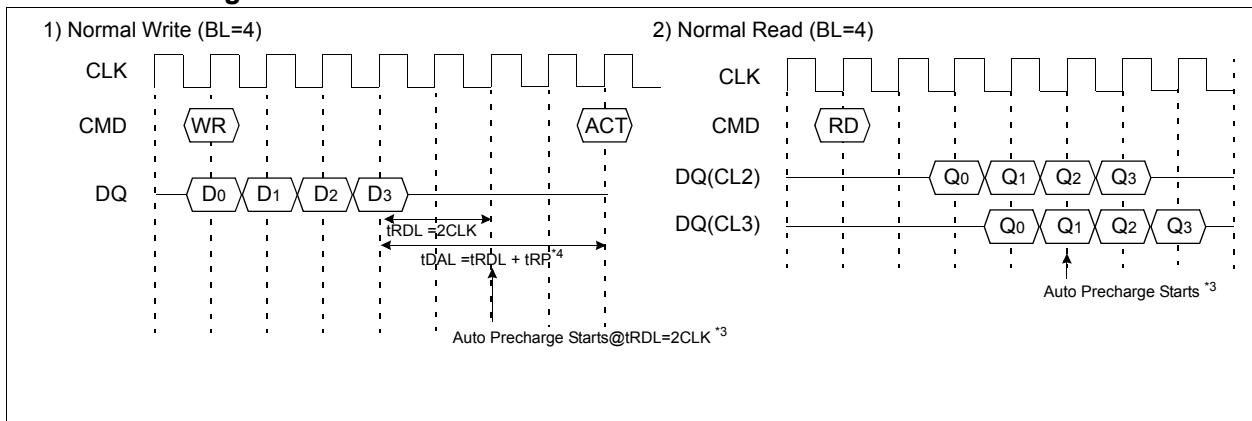
*NOTE:

1. To prevent bus contention, DQM should be issued which makes at least one gap between data in and data out.
2. To inhibit invalid write, DQM should be issued.
3. This precharge command and burst write command should be of the same bank, otherwise it is not precharge interrupt but only another bank precharge of four banks operation.

6. Precharge



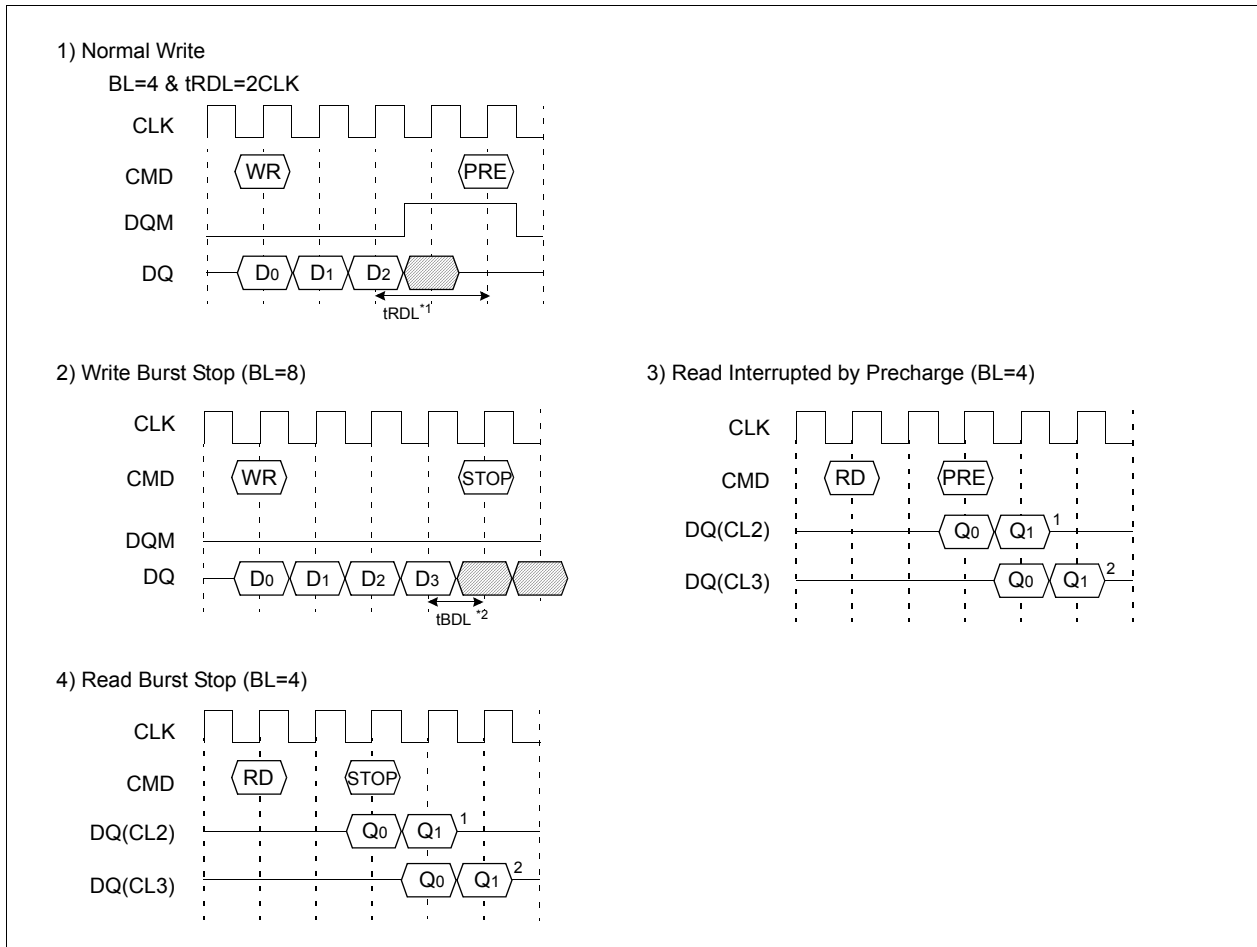
7. Auto Precharge



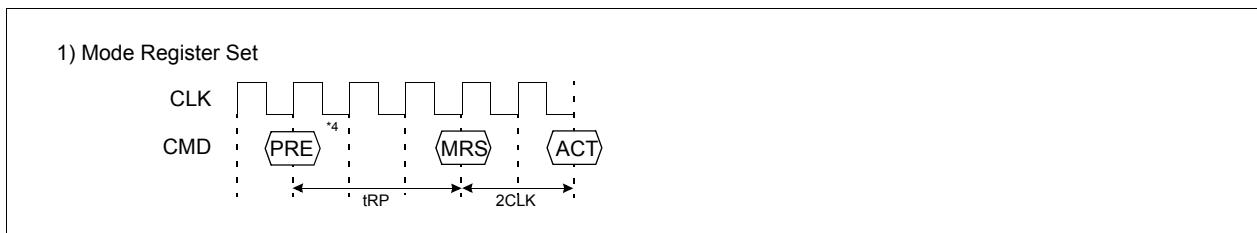
*NOTE:

1. SAMSUNG can support $t_{RD} = 2CLK$.
2. Number of valid output data after row precharge : 1, 2 for CAS Latency = 2, 3 respectively.
3. The row active command of the precharge bank can be issued after t_{RP} from this point.
The new read/write command of other activated bank can be issued from this point.
At burst read/write with auto precharge, CAS interrupt of the same bank is illegal
4. t_{DAL} defined Last data in to Active delay. SAMSUNG can support $t_{DAL} = t_{RD} + t_{RP}$.

8. Burst Stop & Interrupted by Precharge



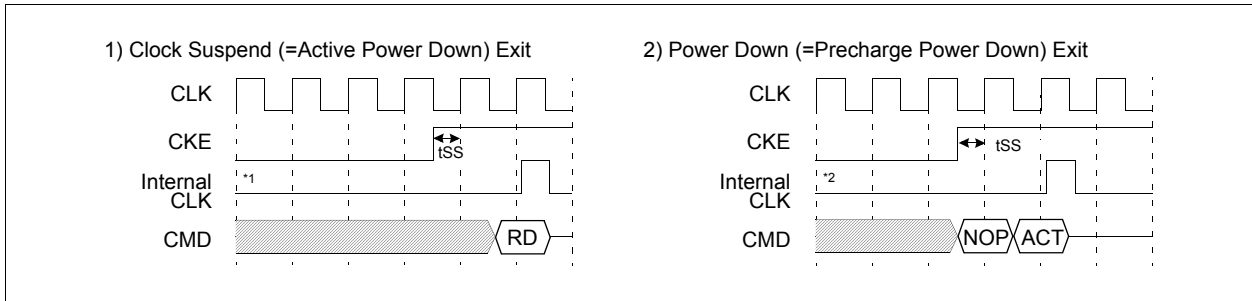
9. MRS



***NOTE:**

1. SAMSUNG can support tRD=2CLK.
2. tBDL : 1 CLK ; Last data in to burst stop delay.
Read or write burst stop command is valid at every burst length.
3. Number of valid output data after row precharge or burst stop : 1, 2 for CAS latency= 2, 3 respectively.
4. PRE : All banks precharge is necessary.
MRS can be issued only at all banks precharge state.

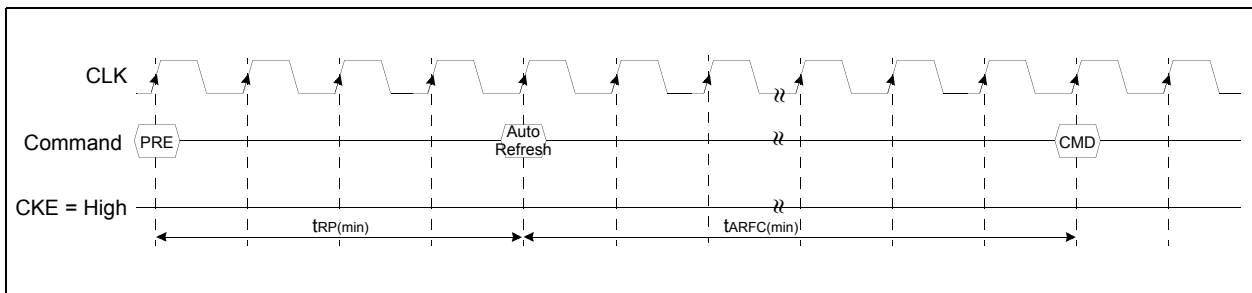
10. Clock Suspend Exit & Power Down Exit



11. Auto Refresh & Self Refresh

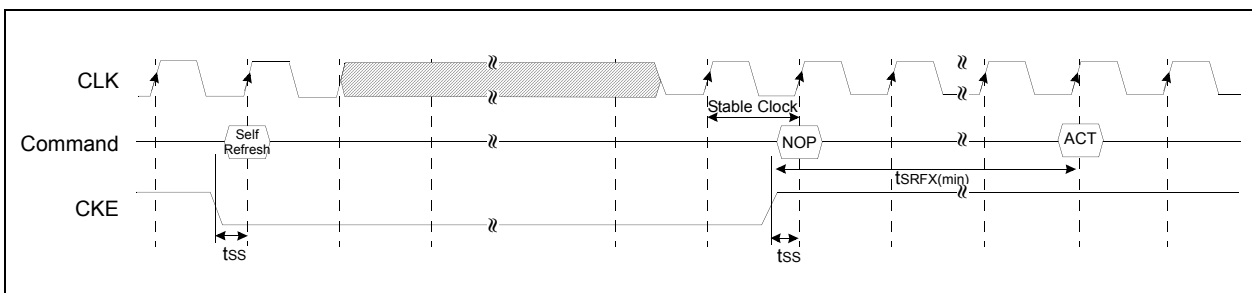
Auto Refresh

An auto refresh command is issued by having \overline{CS} , \overline{RAS} and \overline{CAS} held low with CKE and \overline{WE} high at the rising edge of the clock (CLK). All banks must be precharged and idle for $t_{RP}(\text{min})$ before the auto refresh command is applied. No control of the external address pins is required once this cycle has started because of the internal address counter. When the refresh cycle has completed, all banks will be in the idle state. A delay between the auto refresh command and the next activate command or subsequent auto refresh command must be greater than or equal to the $t_{ARFC}(\text{min})$.



Self Refresh

A Self Refresh command is defined by having \overline{CS} , \overline{RAS} , \overline{CAS} and CKE held low with \overline{WE} high at the rising edge of the clock. Once the self Refresh command is initiated, CKE must be held low to keep the device in Self Refresh mode. After 1 clock cycle from the self Refresh command, all of the external control signals including system clock (CLK) can be disabled except CKE. The clock is internally disabled during Self Refresh operation to reduce power. To exit the Self Refresh mode, supply stable clock input before returning CKE high, assert deselect or NOP command and then assert CKE high. In case that the system uses burst auto refresh during normal operation, it is recommended to use burst auto refresh cycle immediately before entering self refresh mode and after exiting in self refresh mode. On the other hand, if the system uses the distributed auto refresh, the system only has to keep the refresh duty cycle.



12. About Burst Type Control

| | | |
|----------------|--|---|
| Basic MODE | Sequential Counting | At MRS A ₃ = "0". See the BURST SEQUENCE TABLE. (BL=4, 8) BL=1, 2, 4, 8 and full page. |
| | Interleave Counting | At MRS A ₃ = "1". See the BURST SEQUENCE TABLE. (BL=4, 8) BL=4, 8. At BL=1, 2 Interleave Counting = Sequential Counting. |
| Random MODE | Random column Access t _{CCD} = 1 CLK | Every cycle Read/Write Command with random column address can realize Random Column Access. That is similar to Extended Data Out (EDO) Operation of conventional DRAM. |

13. About Burst Length Control

| | | |
|-------------------|---|--|
| Basic MODE | 1 | At MRS A _{2,1,0} = "000". At auto precharge, t _{RAS} should not be violated. |
| | 2 | At MRS A _{2,1,0} = "001". At auto precharge, t _{RAS} should not be violated. |
| | 4 | At MRS A _{2,1,0} = "010". |
| | 8 | At MRS A _{2,1,0} = "011". |
| | Full Page | At MRS A _{2,1,0} = "111". Wrap around mode(infinite burst length) should be stopped by burst stop. RAS interrupt or CAS interrupt. |
| Special MODE | BRSW | At MRS A ₉ = "1". Read burst =1, 2, 4, 8, full page write Burst =1. At auto precharge of write, t _{RAS} should not be violated. |
| Random MODE | Burst Stop | t _{BDL} = 1, Valid DQ after burst stop is 1, 2 for CAS latency 2, 3 respectively Using burst stop command, any burst length control is possible. |
| Interrupt MODE | $\overline{\text{RAS}}$ Interrupt (Interrupted by Precharge) | Before the end of burst, Row precharge command of the same bank stops read/write burst with Row precharge. t _{RDL} = 2 with DQM, valid DQ after burst stop is 1, 2 for CAS latency 2, 3 respectively. During read/write burst with auto precharge, $\overline{\text{RAS}}$ interrupt can not be issued. |
| | $\overline{\text{CAS}}$ Interrupt | Before the end of burst, new read/write stops read/write burst and starts new read/write burst. During read/write burst with auto precharge, $\overline{\text{CAS}}$ interrupt can not be issued. |

FUNCTION TRUTH TABLE (TABLE 1)

| Current State | \overline{CS} | \overline{RAS} | \overline{CAS} | \overline{WE} | BA | Address | Action | Note |
|---------------------------|-----------------|------------------|------------------|-----------------|---------|-------------------------|--|------|
| IDLE | H | X | X | X | X | X | NOP | |
| | L | H | H | H | X | X | NOP | |
| | L | H | H | L | X | X | ILLEGAL | 2 |
| | L | H | L | X | BA | CA, A ₁₀ /AP | ILLEGAL | 2 |
| | L | L | H | H | BA | RA | Row (& Bank) Active ; Latch RA | |
| | L | L | H | L | BA | A ₁₀ /AP | NOP | 4 |
| | L | L | L | H | X | X | Auto Refresh or Self Refresh | 5 |
| | L | L | L | L | OP code | OP code | Mode Register Access | 5 |
| Row Active | H | X | X | X | X | X | NOP | |
| | L | H | H | H | X | X | NOP | |
| | L | H | H | L | X | X | ILLEGAL | 2 |
| | L | H | L | H | BA | CA, A ₁₀ /AP | Begin Read ; latch CA ; determine AP | |
| | L | H | L | L | BA | CA, A ₁₀ /AP | Begin Read ; latch CA ; determine AP | |
| | L | L | H | H | BA | RA | ILLEGAL | 2 |
| | L | L | H | L | BA | A ₁₀ /AP | Precharge | |
| Read | L | L | L | X | X | X | ILLEGAL | |
| | H | X | X | X | X | X | NOP (Continue Burst to End --> Row Active) | |
| | L | H | H | H | X | X | NOP (Continue Burst to End --> Row Active) | |
| | L | H | H | L | X | X | Term burst --> Row active | |
| | L | H | L | H | BA | CA, A ₁₀ /AP | Term burst, New Read, Determine AP | |
| | L | H | L | L | BA | CA, A ₁₀ /AP | Term burst, New Write, Determine AP | 3 |
| | L | L | H | H | BA | RA | ILLEGAL | 2 |
| Write | L | L | H | L | BA | A ₁₀ /AP | Term burst, Precharge timing for Reads | |
| | L | L | L | X | X | X | ILLEGAL | |
| | H | X | X | X | X | X | NOP (Continue Burst to End --> Row Active) | |
| | L | H | H | H | X | X | NOP (Continue Burst to End --> Row Active) | |
| | L | H | H | L | X | X | Term burst --> Row active | |
| | L | H | L | H | BA | CA, A ₁₀ /AP | Term burst, New read, Determine AP | 3 |
| | L | H | L | L | BA | CA, A ₁₀ /AP | Term burst, New Write, Determine AP | 3 |
| Read with Auto Precharge | L | L | H | H | BA | RA | ILLEGAL | 2 |
| | L | L | H | L | BA | A ₁₀ /AP | Term burst, precharge timing for Writes | 3 |
| | L | L | L | X | X | X | ILLEGAL | |
| | H | X | X | X | X | X | NOP (Continue Burst to End --> Precharge) | |
| | L | H | H | H | X | X | NOP (Continue Burst to End --> Precharge) | |
| | L | H | H | L | X | X | ILLEGAL | |
| Write with Auto Precharge | L | H | L | X | BA | CA, A ₁₀ /AP | ILLEGAL | |
| | L | L | H | X | BA | RA, RA ₁₀ | ILLEGAL | 2 |
| | L | L | L | X | X | X | ILLEGAL | |
| | H | X | X | X | X | X | NOP (Continue Burst to End --> Precharge) | |
| | L | H | H | H | X | X | NOP (Continue Burst to End --> Precharge) | |
| | L | H | H | L | X | X | ILLEGAL | |
| | L | H | L | X | BA | CA, A ₁₀ /AP | ILLEGAL | |
| | L | L | H | X | BA | RA, RA ₁₀ | ILLEGAL | 2 |
| | L | L | L | X | X | X | ILLEGAL | |

FUNCTION TRUTH TABLE (TABLE 1)

| Current | \overline{CS} | \overline{RAS} | \overline{CAS} | \overline{WE} | BA | Address | Action | Note |
|-------------------------|-----------------|------------------|------------------|-----------------|----|---------|-------------------------------|------|
| Precharging | H | X | X | X | X | X | NOP --> Idle after tRP | |
| | L | H | H | H | X | X | NOP --> Idle after tRP | |
| | L | H | H | L | X | X | ILLEGAL | 2 |
| | L | H | L | X | BA | CA | ILLEGAL | 2 |
| | L | L | H | H | BA | RA | ILLEGAL | 2 |
| | L | L | H | L | BA | A10/AP | NOP --> Idle after tRP | 4 |
| Row Activating | L | L | L | X | X | X | ILLEGAL | |
| | H | X | X | X | X | X | NOP --> Row Active after tRCD | |
| | L | H | H | H | X | X | NOP --> Row Active after tRCD | |
| | L | H | H | L | X | X | ILLEGAL | 2 |
| | L | H | L | X | BA | CA | ILLEGAL | 2 |
| | L | L | H | H | BA | RA | ILLEGAL | 2 |
| | L | L | H | L | BA | A10/AP | ILLEGAL | 2 |
| Refreshing | L | L | L | X | X | X | ILLEGAL | |
| | H | X | X | X | X | X | NOP --> Idle after tRC | |
| | L | H | H | X | X | X | NOP --> Idle after tRC | |
| | L | H | L | X | X | X | ILLEGAL | |
| | L | L | H | X | X | X | ILLEGAL | |
| Mode Register Accessing | L | L | L | X | X | X | ILLEGAL | |
| | H | X | X | X | X | X | NOP --> Idle after 2 clocks | |
| | L | H | H | H | X | X | NOP --> Idle after 2 clocks | |
| | L | H | H | L | X | X | ILLEGAL | |
| | L | H | L | X | X | X | ILLEGAL | |
| L | L | X | X | X | X | ILLEGAL | | |

Abbreviations : RA = Row Address BA = Bank Address
 NOP = No Operation Command CA = Column Address AP = Auto Precharge

***NOTE:**

1. All entries assume the CKE was active (High) during the precharge clock and the current clock cycle.
2. Illegal to bank in specified state ; Function may be legal in the bank indicated by BA, depending on the state of that bank.
3. Must satisfy bus contention, bus turn around, and/or write recovery requirements.
4. NOP to bank precharging or in idle state. May precharge bank indicated by BA (and A10/AP).
5. Illegal if any bank is not idle.

FUNCTION TRUTH TABLE (TABLE 2)

| Current State | CKE (n-1) | CKE n | \overline{CS} | \overline{RAS} | \overline{CAS} | \overline{WE} | Address | Action | Note |
|-----------------------------------|-----------|-------|-----------------|------------------|------------------|-----------------|---------|--|------|
| Self Refresh | H | X | X | X | X | X | X | Exit Self Refresh --> Idle after tsRFX(ABI) | |
| | L | H | H | X | X | X | X | Exit Self Refresh --> Idle after tsRFX (ABI) | 6 |
| | L | H | L | H | H | H | X | Exit Self Refresh --> Idle after tsRFX (ABI) | 6 |
| | L | H | L | H | H | L | X | ILLEGAL | |
| | L | H | L | H | L | X | X | ILLEGAL | |
| | L | H | L | L | X | X | X | ILLEGAL | |
| | L | L | X | X | X | X | X | NOP (Maintain Self Refresh) | |
| All Banks Precharge Power Down | H | X | X | X | X | X | X | INVALID | |
| | L | H | H | X | X | X | X | Exit Power Down --> ABI | |
| | L | H | L | H | H | H | X | Exit Power Down --> ABI | 7 |
| | L | H | L | H | H | L | X | ILLEGAL | 7 |
| | L | H | L | H | L | X | X | ILLEGAL | |
| | L | H | L | L | X | X | X | ILLEGAL | |
| | L | L | X | X | X | X | X | NOP (Maintain Low Power Mode) | |
| All Banks Idle | H | H | X | X | X | X | X | Refer to Table 1 | |
| | H | L | H | X | X | X | X | Enter Power Down | |
| | H | L | L | H | H | H | X | Enter Power Down | 8 |
| | H | L | L | H | H | L | X | ILLEGAL | 8 |
| | H | L | L | H | L | X | X | ILLEGAL | |
| | H | L | L | L | H | H | RA | Row (& Bank) Active | |
| | H | L | L | L | L | H | X | Enter Self Refresh | 8 |
| | H | L | L | L | L | L | OP Code | Mode Register Access | |
| | L | L | X | X | X | X | X | NOP | |
| Any State other than Listed above | H | H | X | X | X | X | X | Refer to Operations in Table 1 | |
| | H | L | X | X | X | X | X | Begin Clock Suspend next cycle | 9 |
| | L | H | X | X | X | X | X | Exit Clock Suspend next cycle | 9 |
| | L | L | X | X | X | X | X | Maintain Clock Suspend | |

Abbreviations : ABI = All Banks Idle, RA = Row Address

***NOTE:**

6. CKE low to high transition is asynchronous.
7. CKE low to high transition is asynchronous if restarts internal clock.
A minimum setup time 1CLK + tss must be satisfied before any command other than exit.
8. Power down and self refresh can be entered only from the all banks idle state.
9. Must be a legal command.

Power Up Sequence

Single Bit Read - Write - Read Cycle(Same Page) @CAS Latency=3, Burst Length=1

Read & Write Cycle at Same Bank @Burst Length=4, tRDL=2CLK

Page Read & Write Cycle at Same Bank @Burst Length=4, tRDL=2CLK

Page Read Cycle at Different Bank @Burst Length=4

Page Write Cycle at Different Bank @Burst Length=4, tRDL=2CLK

Read & Write Cycle at Different Bank @Burst Length=4

Read & Write Cycle With Auto Precharge I @Burst Length=4

Read & Write Cycle With Auto Precharge II @Burst Length=4

Clock Suspension & DQM Operation Cycle @CAS Latency=2, Burst Length=4

Read Interrupted by Precharge Command & Read Burst Stop Cycle @ Full Page Burst

Write Interrupted by Precharge Command & Write Burst Stop Cycle @ Full Page Burst, tRDL=2CLK

Burst Read Single bit Write Cycle @Burst Length =2

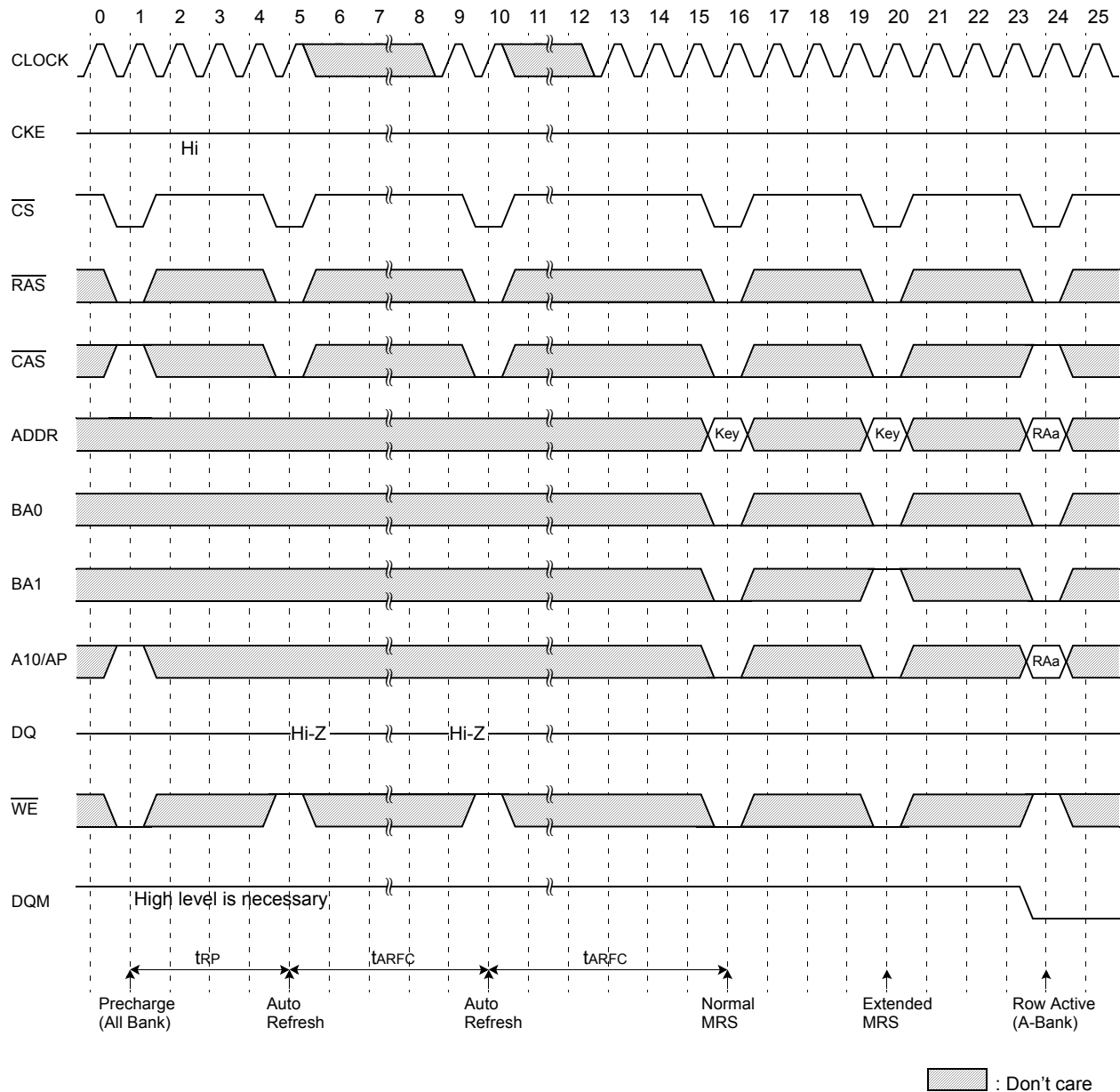
Active/precharge Power Dower Down Mode @CAS Latency=2 Burst Length=4

Self Refresh Entry & Exit Cycle & Exit Cycle

Mode Register Set Cycle and Auto Refresh Cycle

Extended Mode Register Set Cycle

Power Up Sequence for Mobile SDRAM



***NOTE:**

1. Apply power and attempt to maintain CKE at a high state and all other inputs may be undefined.
 - Apply VDD before or at the same time as VDDQ.
2. Maintain stable power, stable clock and NOP input condition for a minimum of 200us.
3. Issue precharge commands for all banks of the devices.
4. Issue 2 or more auto-refresh commands.
5. Issue a mode register set command to initialize the mode register.
6. Issue an extended mode register set command to define DS or PASR operating type of the device after normal MRS.

EMRS cycle is not mandatory and the EMRS command needs to be issued only when DS or PASR is used.

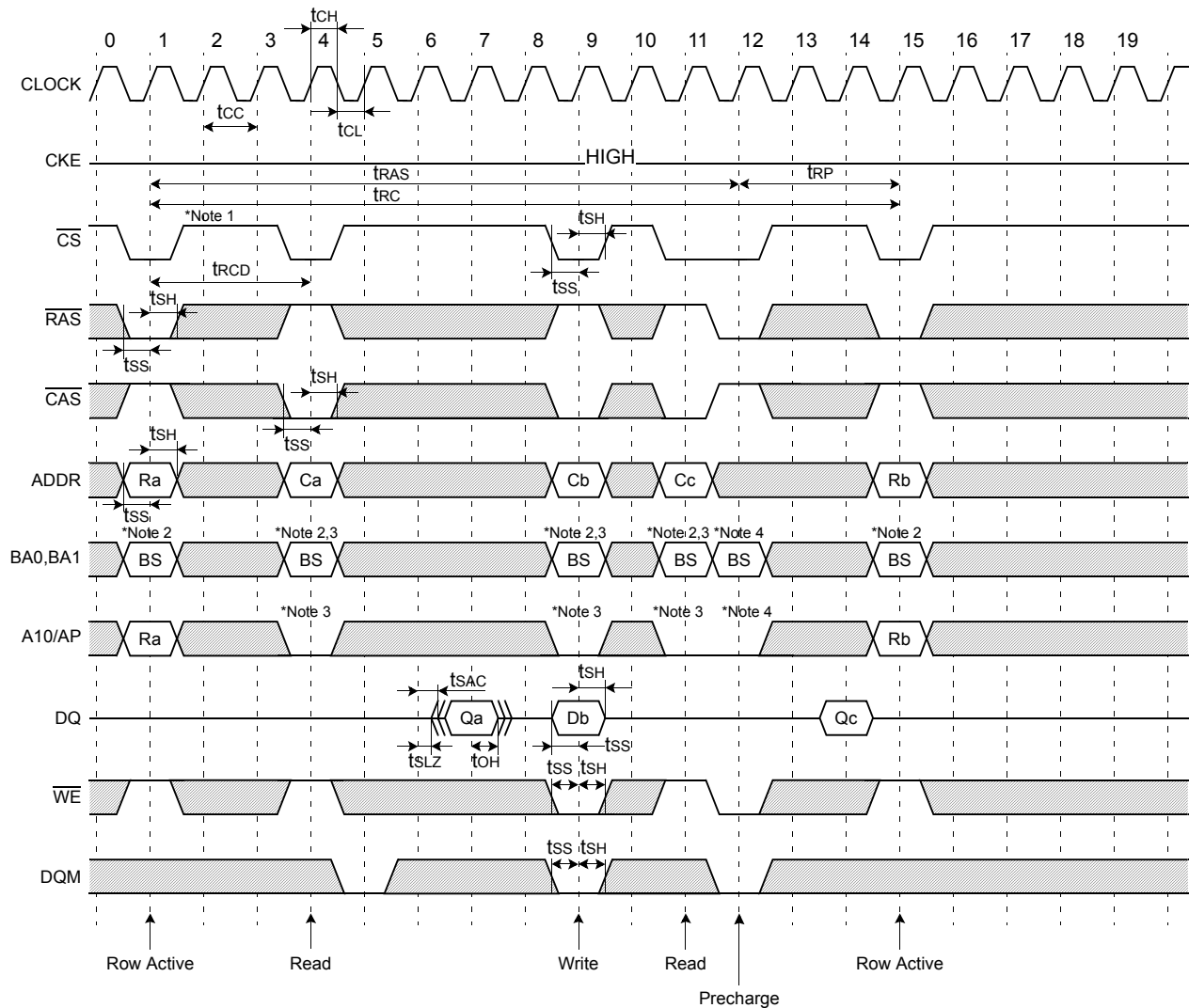
The default state without EMRS command issued is the half driver strength and full array refreshed.

The device is now ready for the operation selected by EMRS.

For operating with DS or PASR, set DS or PASR mode in EMRS setting stage.

In order to adjust another mode in the state of DS or PASR mode, additional EMRS set is required but power up sequence is not needed again at this time. In that case, all banks have to be in idle state prior to adjusting EMRS set.

Single Bit Read-Write-Read Cycle(Same Page) @CAS Latency=3, Burst Length=1

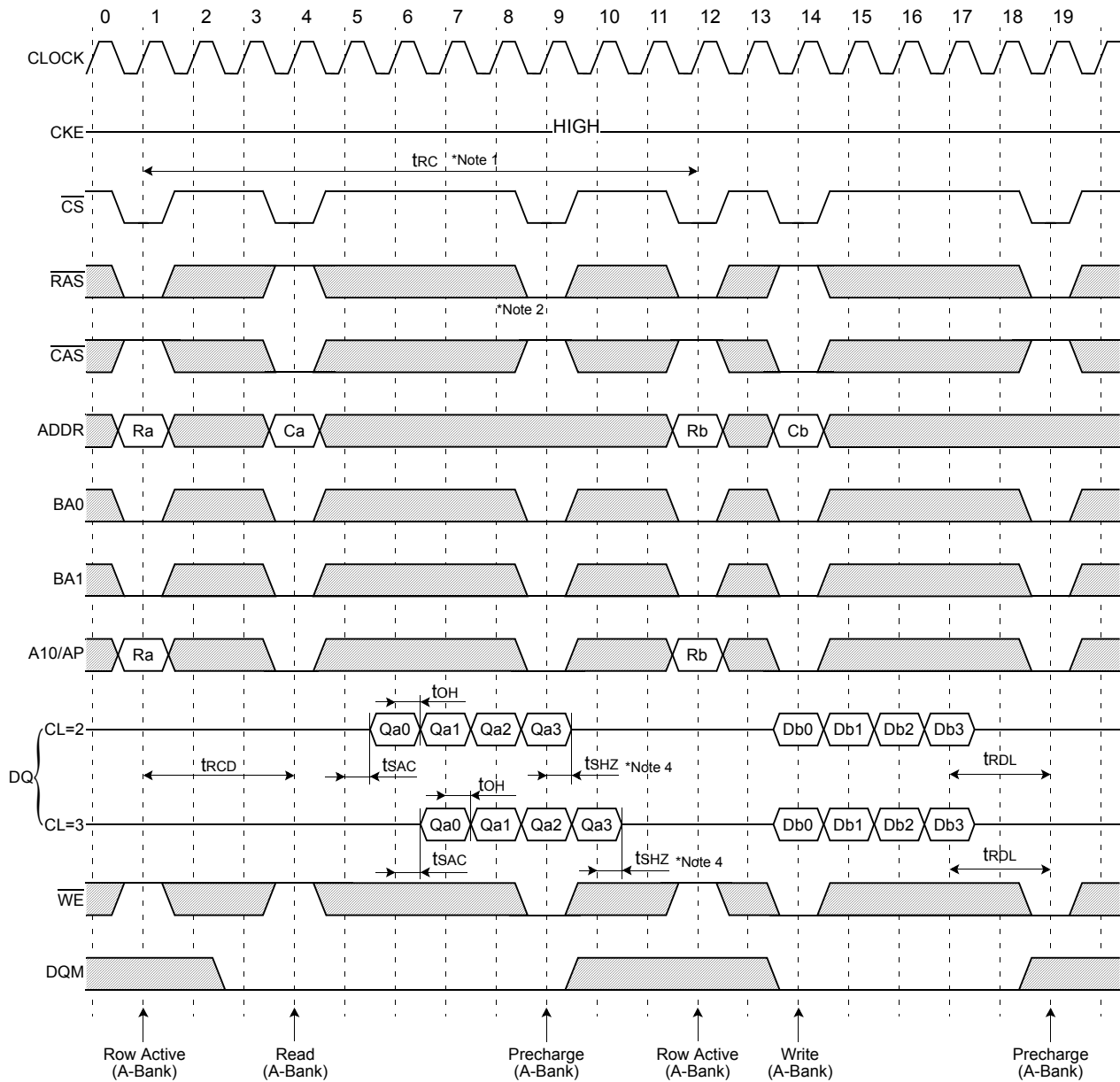


□ : Don't care

***NOTE:**

1. All input except CKE & DQM can be don't care when \overline{CS} is high at the CLK high going edge.
2. Bank active & read/write are controlled by BA0,BA1.

Read & Write Cycle at Same Bank @Burst Length=4, tRDL=2CLK

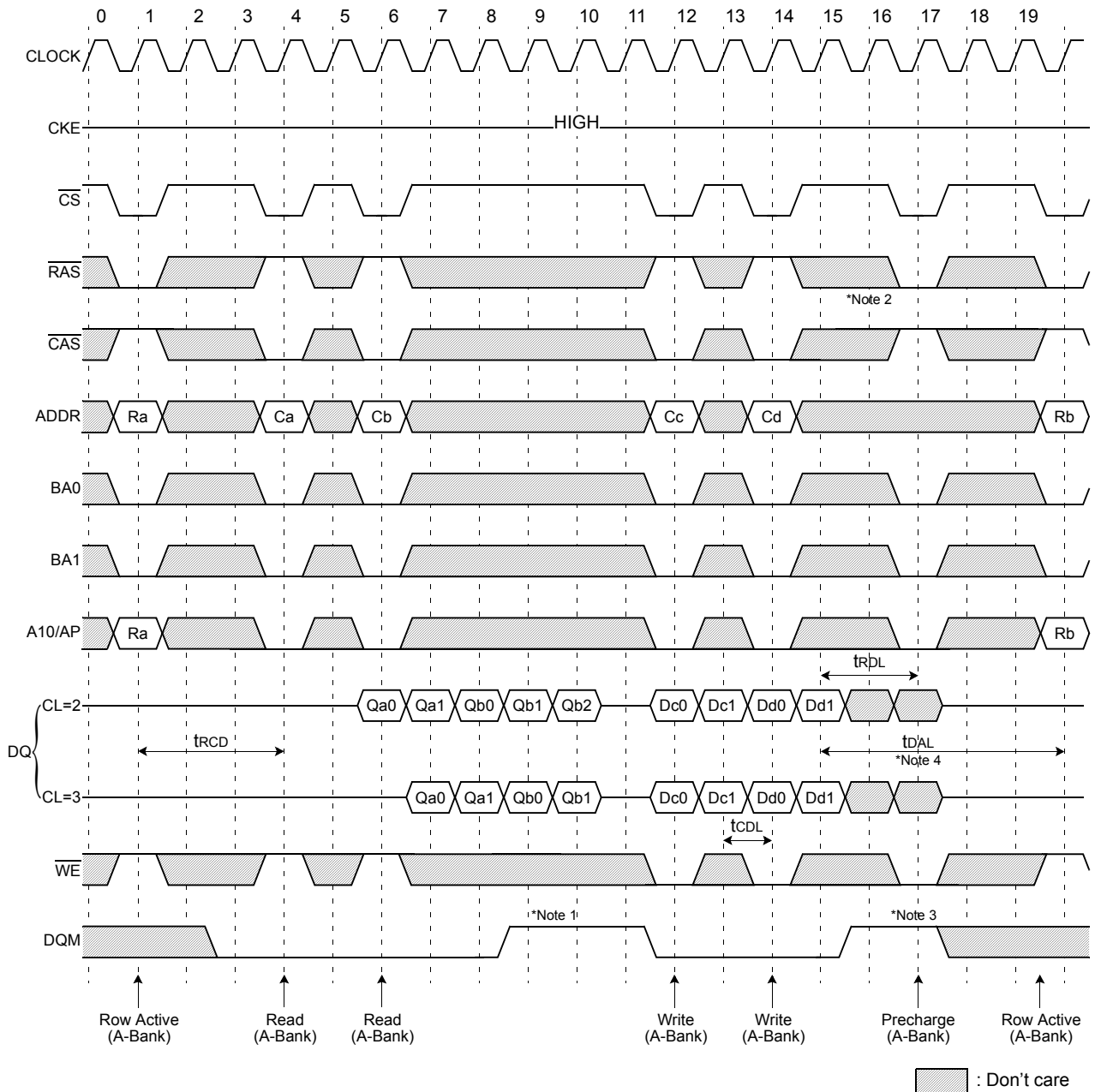


□ : Don't care

***NOTE:**

1. Minimum row cycle times is required to complete internal DRAM operation.
2. Row precharge can interrupt burst on any cycle. [CAS Latency - 1] number of valid output data is available after Row precharge. Last valid output will be Hi-Z(tSHZ) after the clock.
3. Output will be Hi-Z after the end of burst. (1, 2, 4, 8 & Full page bit burst)

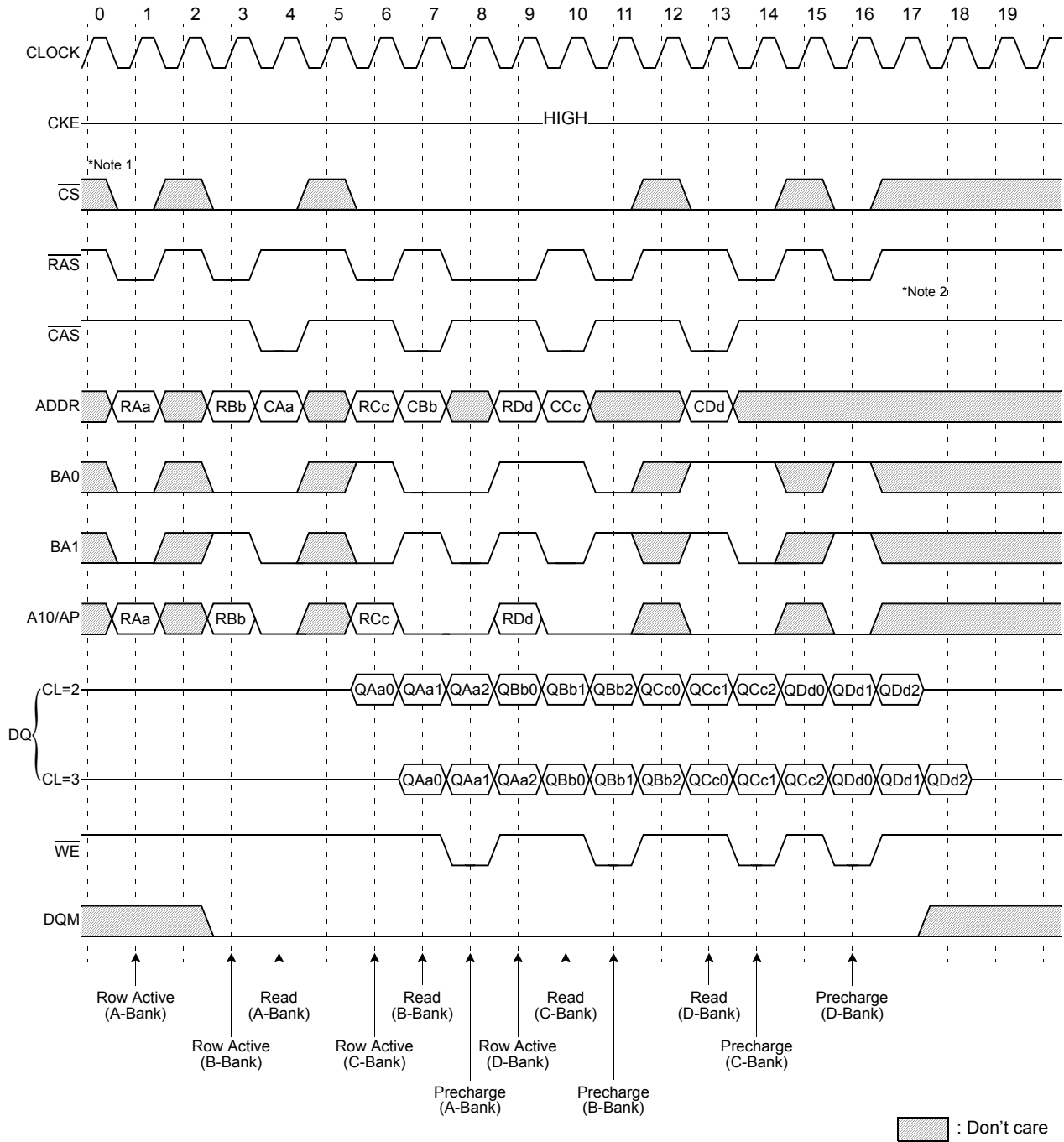
Page Read & Write Cycle at Same Bank @Burst Length=4, $t_{RDL}=2CLK$



***NOTE:**

1. To write data before burst read ends, DQM should be asserted three cycle prior to write command to avoid bus contention.
2. Row precharge will interrupt writing. Last data input, t_{RDL} before Row precharge, will be written.
3. DQM should mask invalid input data on precharge command cycle when asserting precharge before end of burst. Input data after Row precharge cycle will be masked internally.
4. t_{DAL} , last data in to active delay, is $2CLK + t_{RP}$.

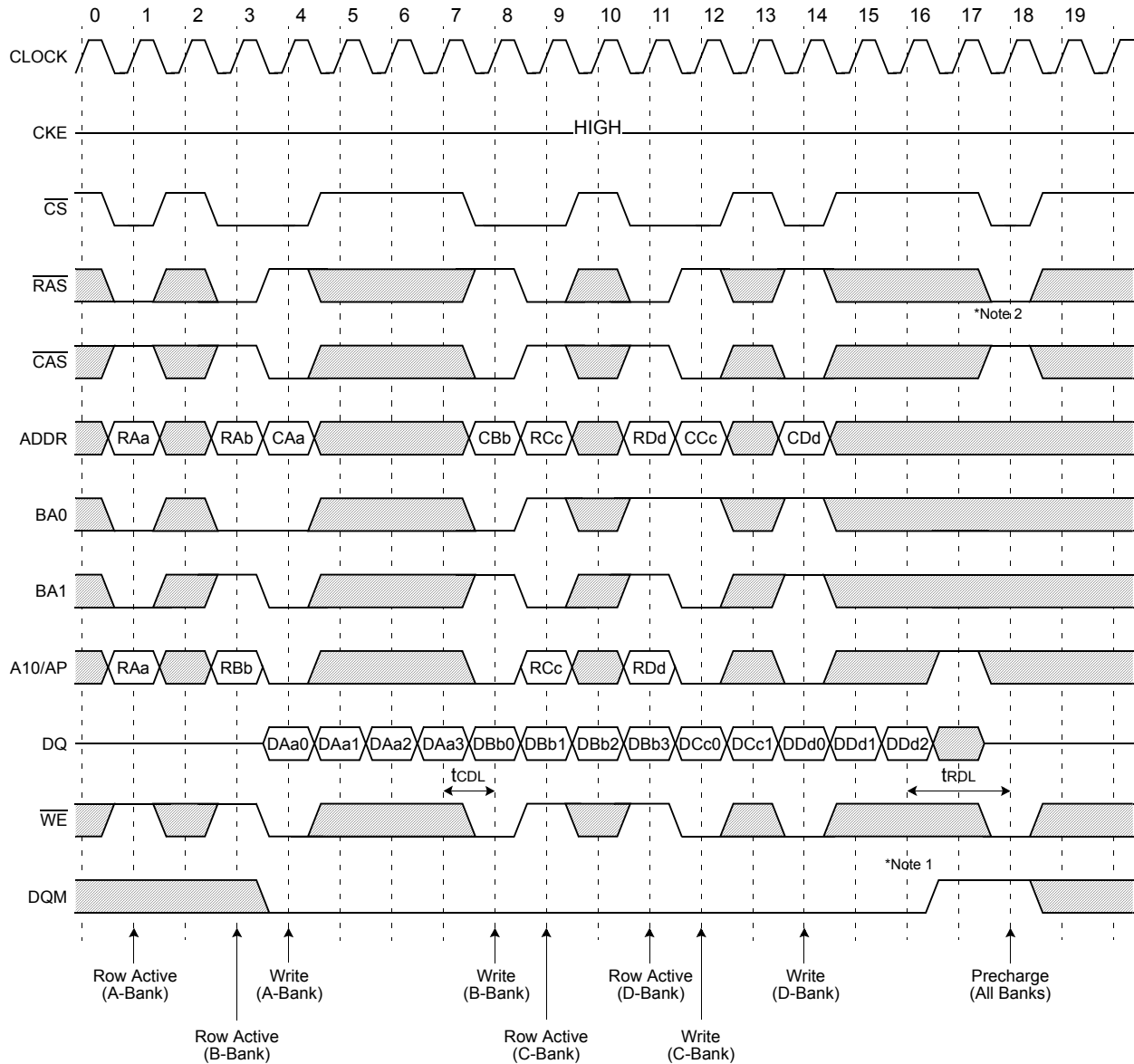
Page Read Cycle at Different Bank @Burst Length=4



***NOTE:**

1. CS can be don't cared when \overline{RAS} , \overline{CAS} and \overline{WE} are high at the clock high going dege.
2. To interrupt a burst read by row precharge, both the read and the precharge banks must be the same.

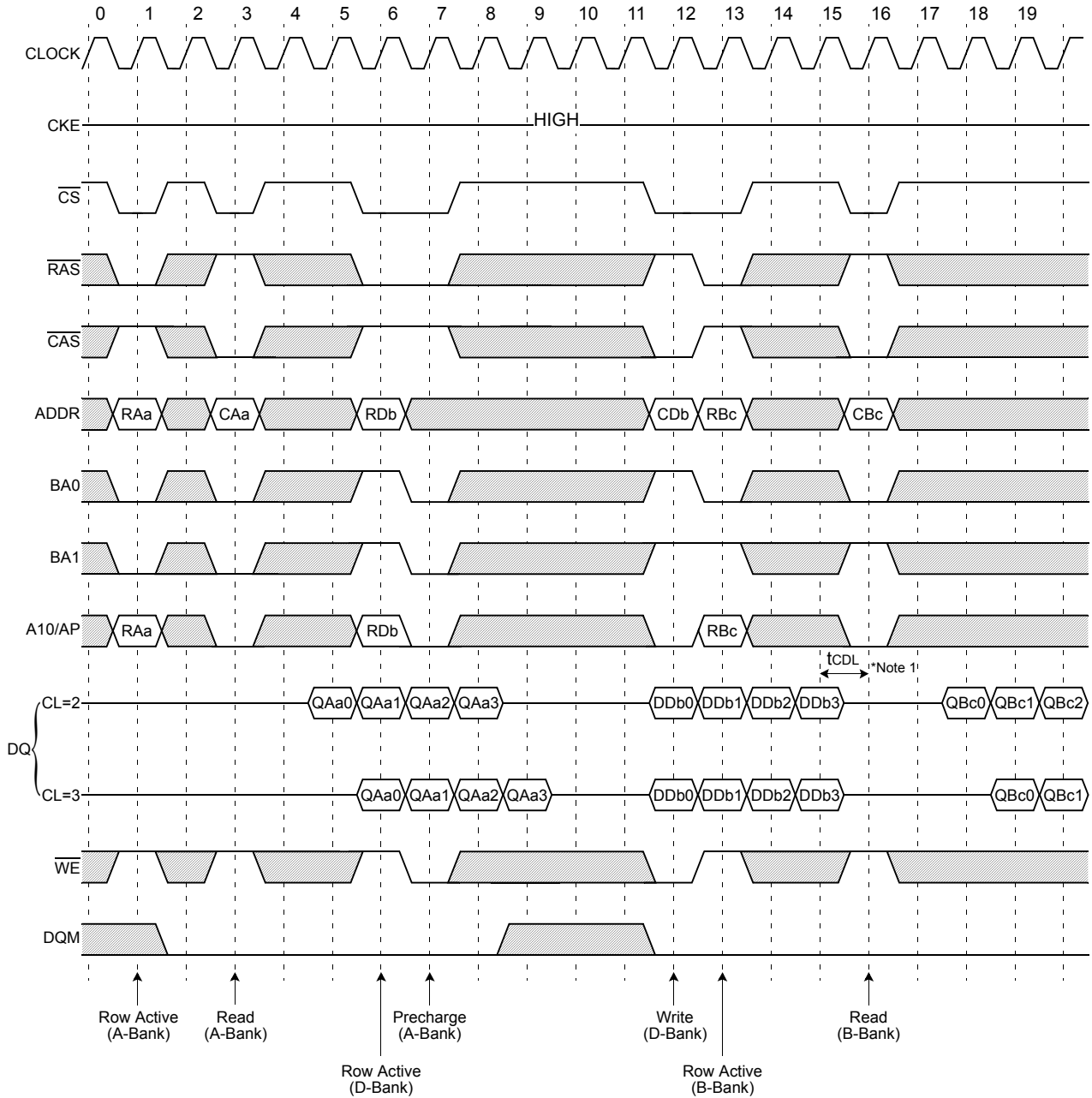
Page Write Cycle at Different Bank @Burst Length=4, tRDL=2CLK



***NOTE:**

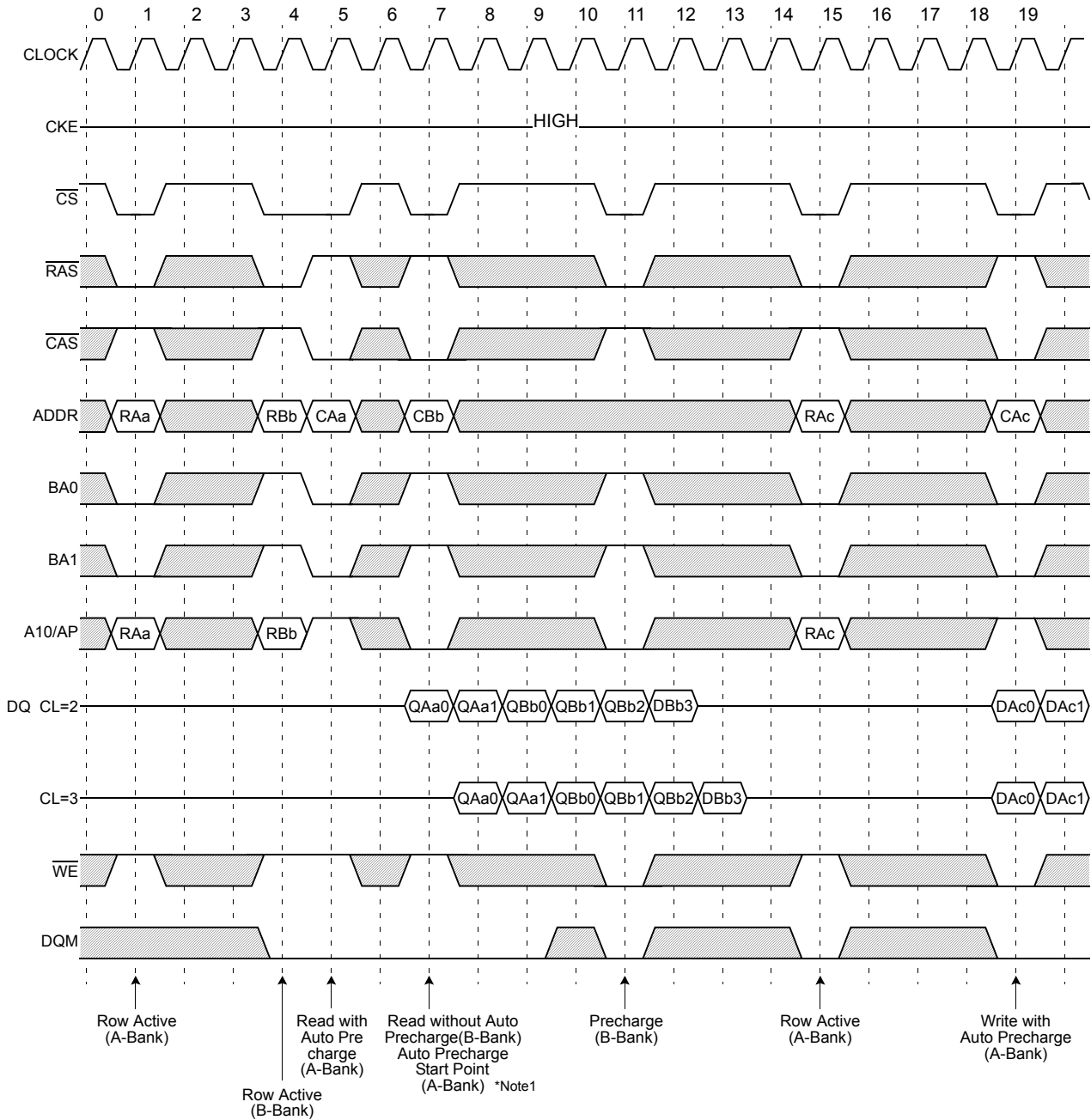
1. To interrupt burst write by Row precharge, DQM should be asserted to mask invalid input data.
2. To interrupt burst write by Row precharge, both the write and the precharge banks must be the same.

Read & Write Cycle at Different Bank @Burst Length=4



***NOTE:**
1. tCDL should be met to complete write.

Read & Write Cycle with Auto Precharge I @Burst Length=4

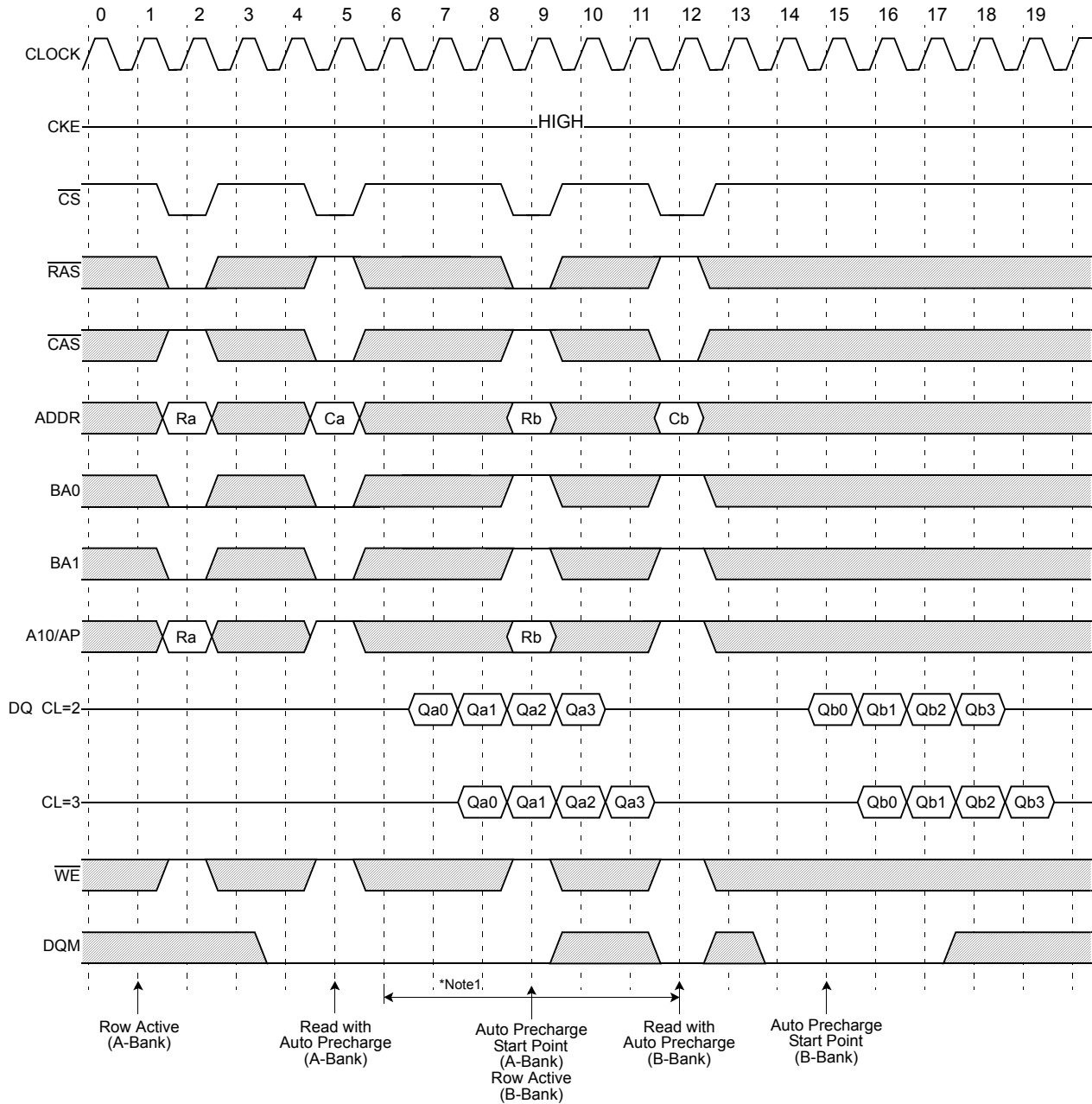


□ : Don't care

***NOTE:**

1. When Read(Write) command with auto precharge is issued at A-Bank after A and B Bank activation.
 - if Read(Write) command without auto precharge is issued at B-Bank before A-Bank auto precharge starts, A-Bank auto precharge will start at B-Bank read command input point .
 - any command can not be issued at A-Bank during tRP after A-Bank auto precharge starts.

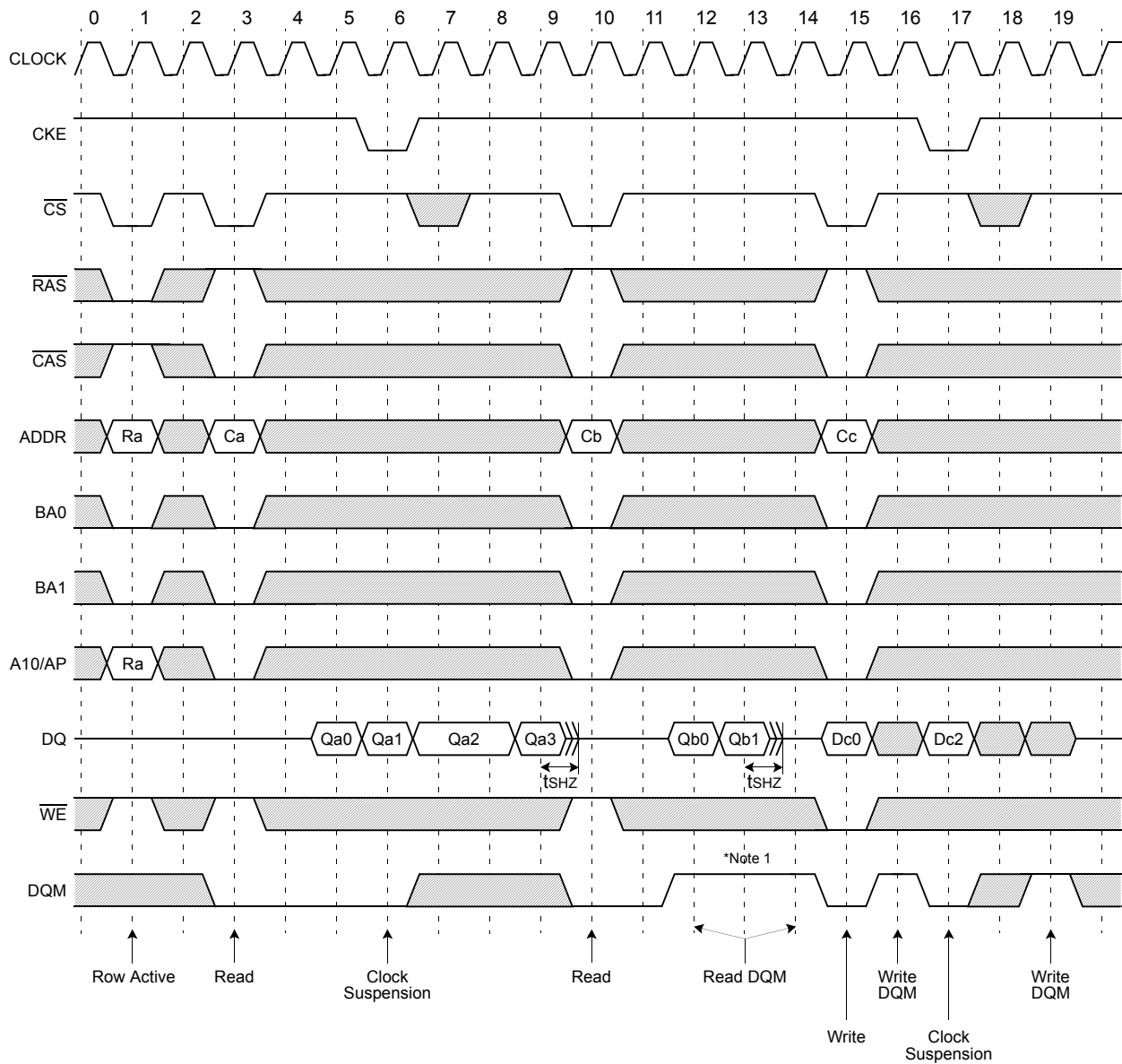
Read & Write Cycle with Auto Precharge II @Burst Length=4



▨ : Don't care

***NOTE:**
 1. Any command to A-bank is not allowed in this period.
 TRP is determined from at auto precharge start point

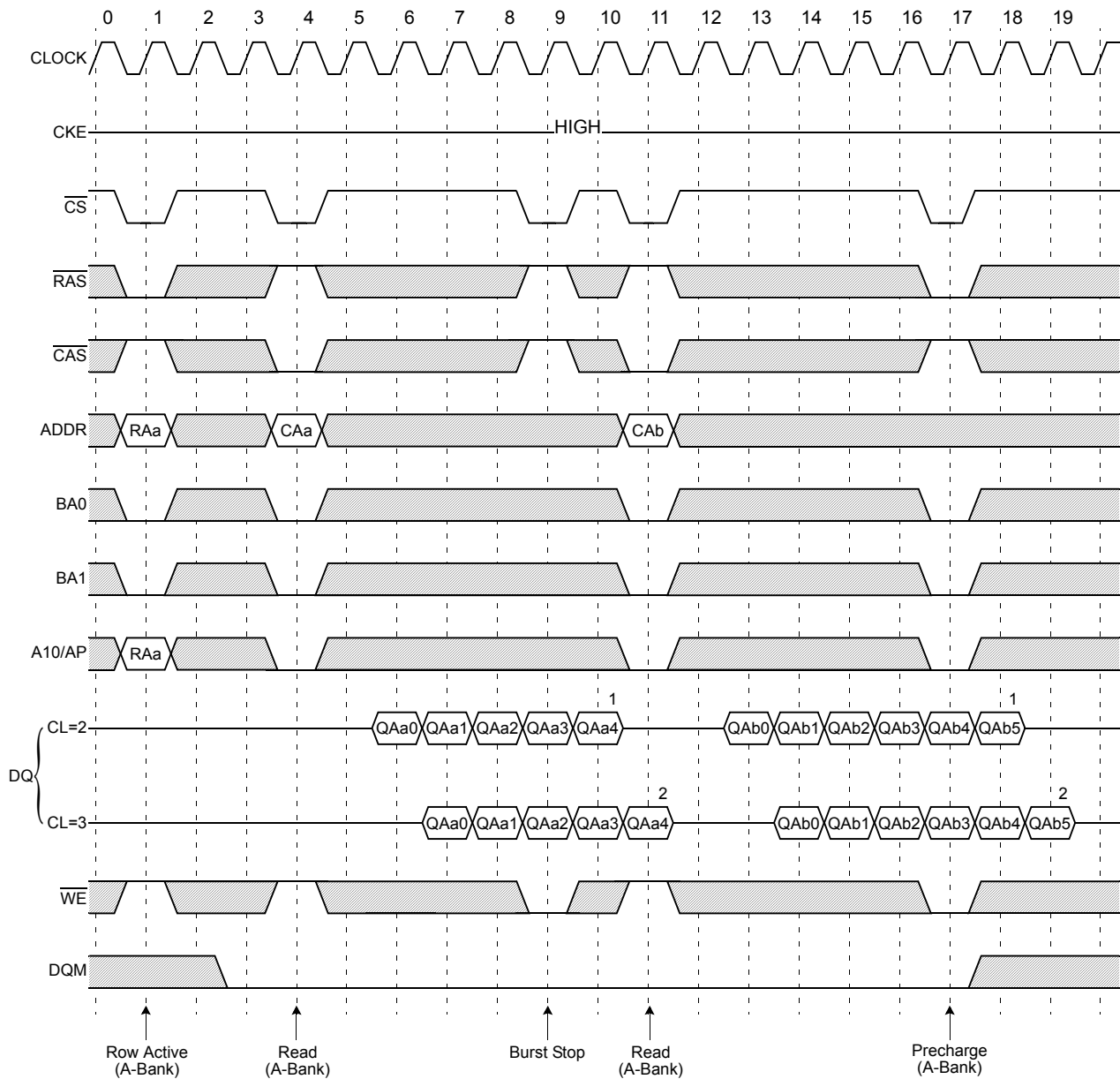
Clock Suspension & DQM Operation Cycle @CAS Latency=2, Burst Length=4



□ : Don't care

***NOTE:**
1. DQM is needed to prevent bus contention.

Read Interrupted by Precharge Command & Read Burst Stop Cycle @Full Page Burst

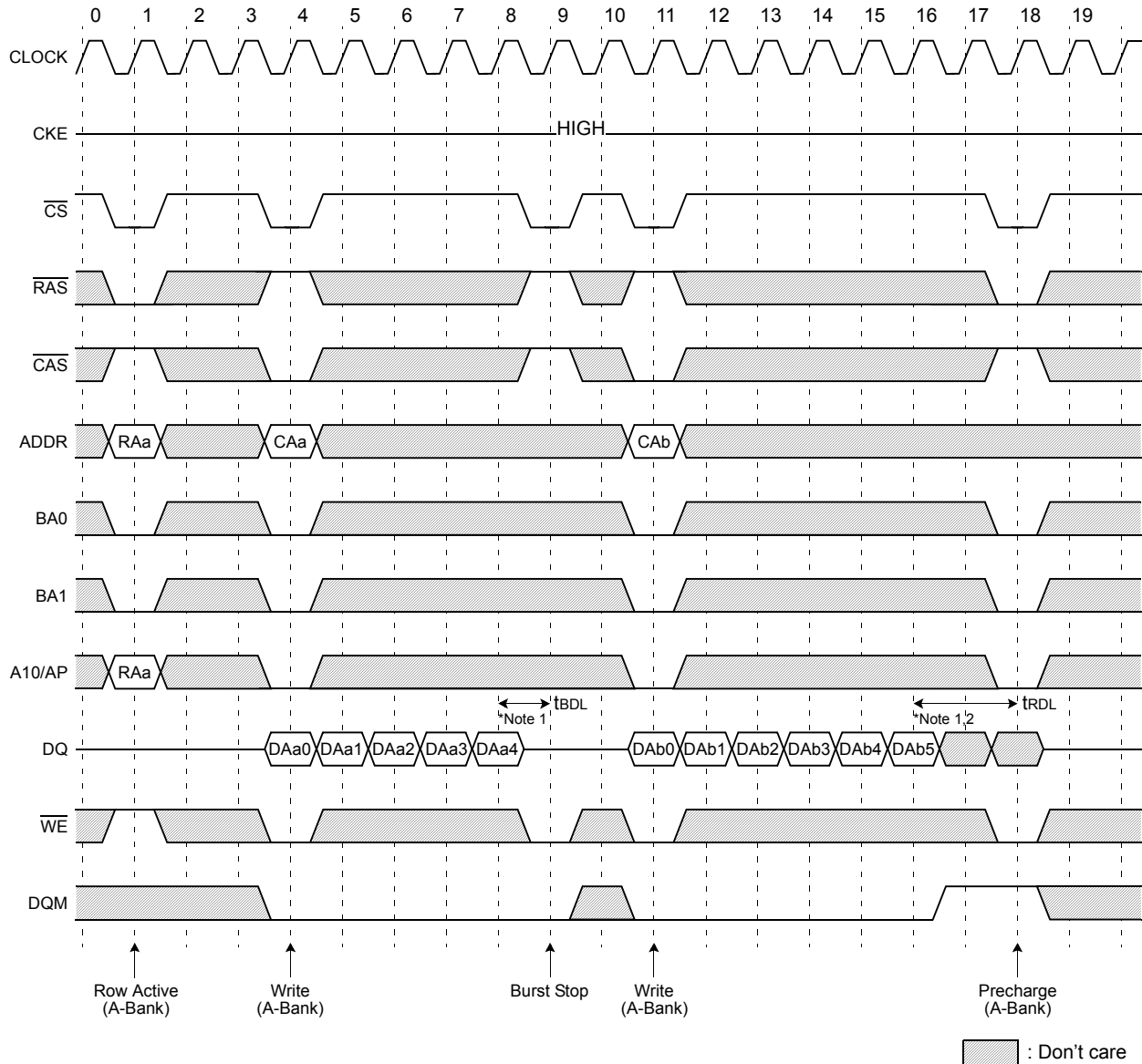


◻ : Don't care

***NOTE:**

1. At full page mode, burst is finished by burst stop or precharge.
2. About the valid DQs after burst stop, it is same as the case of \overline{RAS} interrupt. Both cases are illustrated above timing diagram. See the label 1, 2 on them. But at burst write, Burst stop and \overline{RAS} interrupt should be compared carefully. Refer the timing diagram of "Full page write burst stop cycle".
3. Burst stop is valid at every burst length.

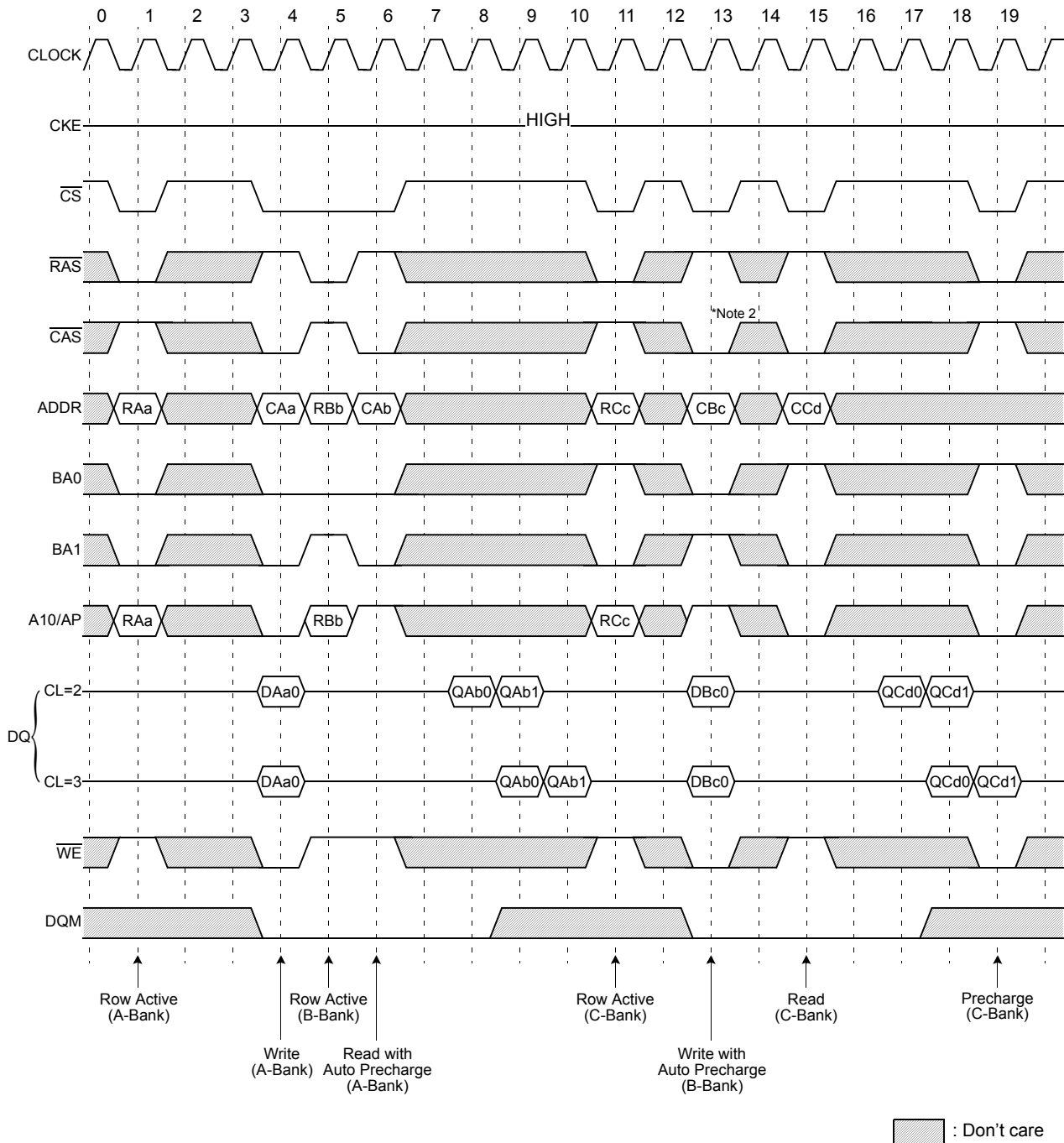
Write Interrupted by Precharge Command & Write Burst Stop Cycle @ Full Page Burst, tRDL=2CLK



***NOTE:**

- At full page mode, burst is finished by burst stop or precharge.
- Data-in at the cycle of interrupted by precharge can not be written into the corresponding memory cell. It is defined by AC parameter of tRDL.
DQM at write interrupted by precharge command is needed to prevent invalid write.
DQM should mask invalid input data on precharge command cycle when asserting precharge before end of burst. Input data after Row precharge cycle will be masked internally.
- Burst stop is valid at every burst length.

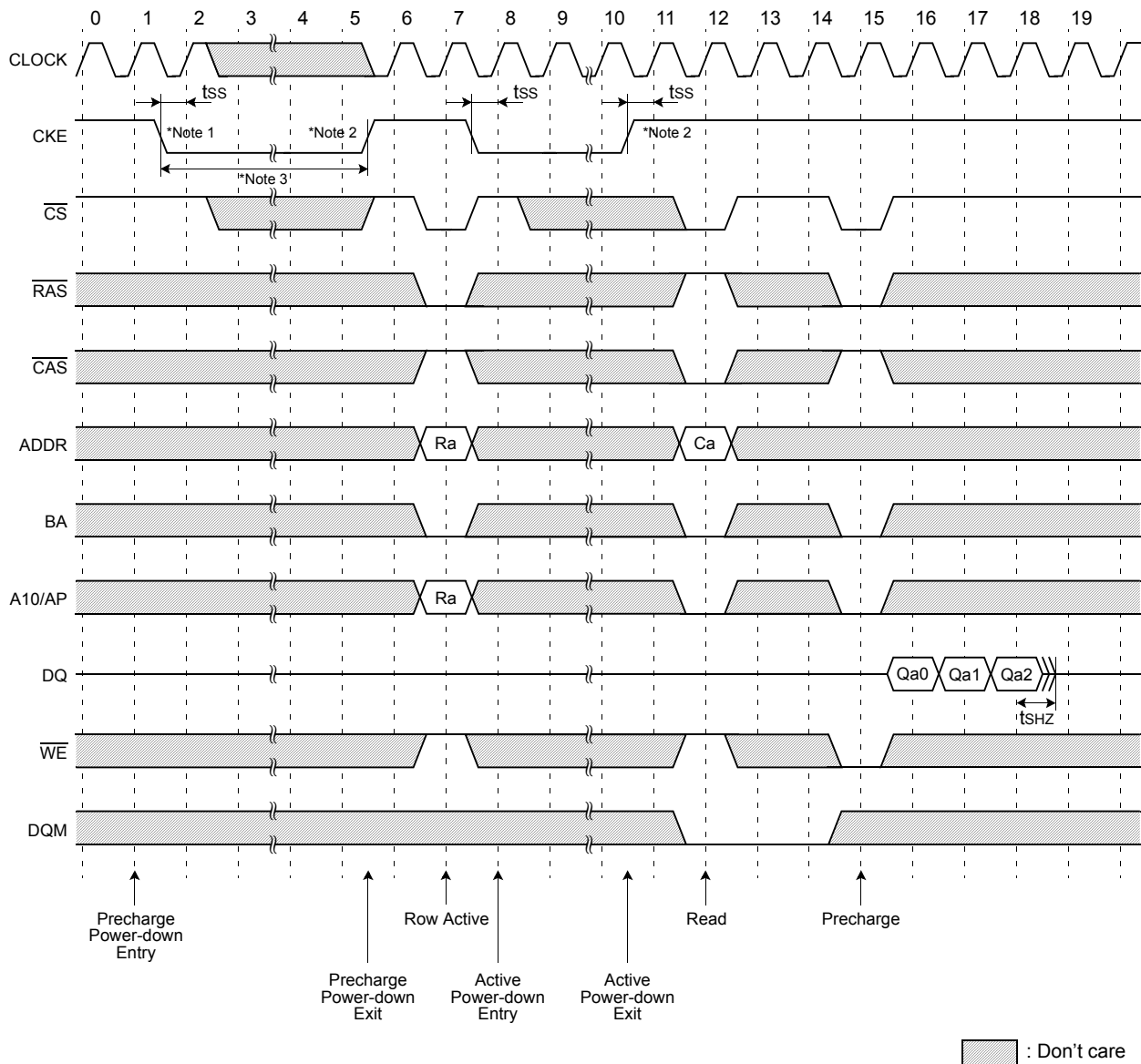
Burst Read Single bit Write Cycle @Burst Length=2



***NOTE:**

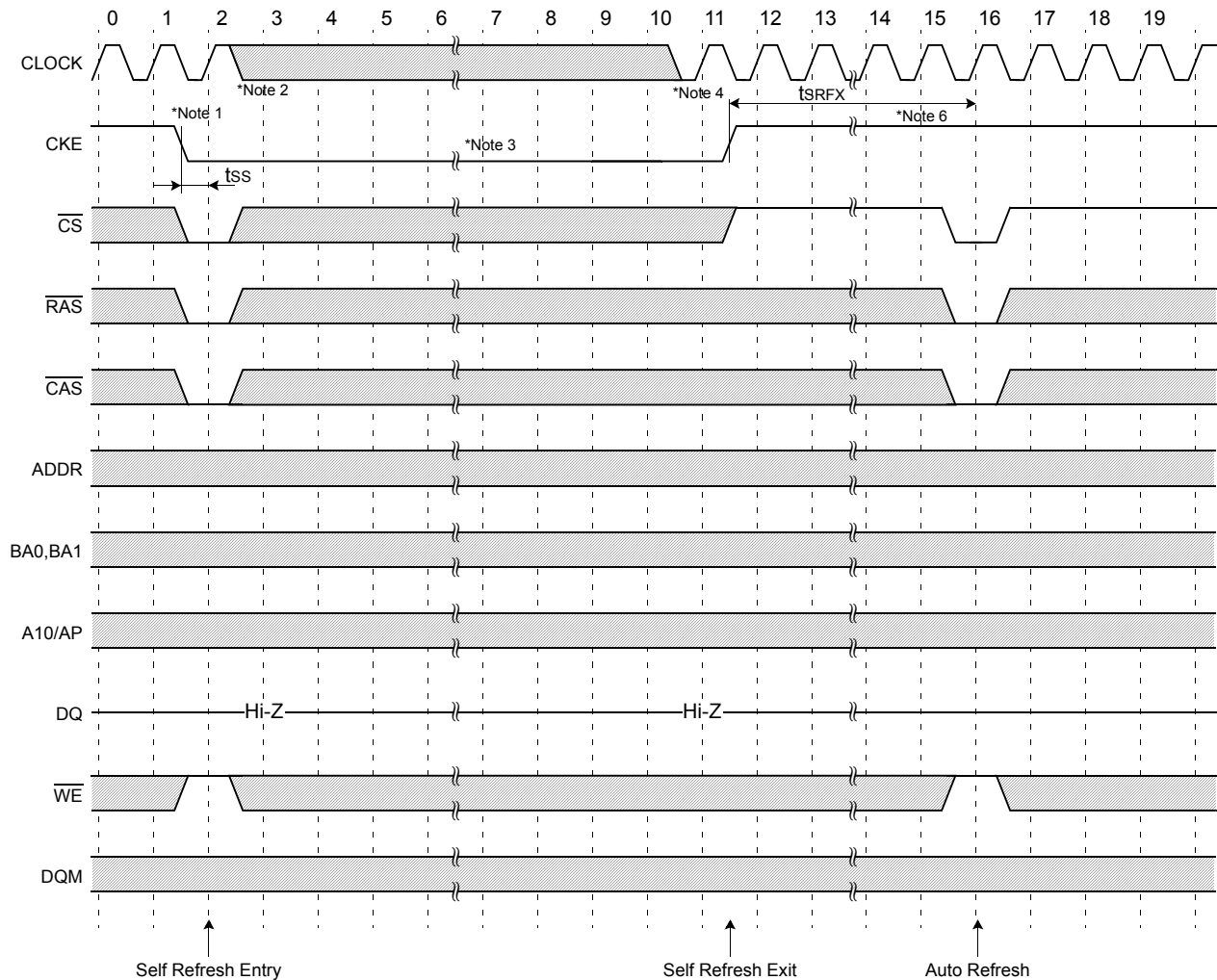
1. BRSW modes is enabled by setting A9 "High" at MRS (Mode Register Set).
At the BRSW Mode, the burst length at write is fixed to "1" regardless of programmed burst length.
2. When BRSW write command with auto precharge is executed, keep it in mind that t_{RAS} should not be violated.
Auto precharge is executed at the burst-end cycle, so in the case of BRSW write command, the next cycle starts the precharge.

Active/Precharge Power Down Mode @CAS Latency=2, Burst Length=4



- *NOTE:**
1. All banks should be in idle state prior to entering precharge power down mode.
 2. CKE should be set high at least 1CLK + t_{SS} prior to Row active command.
 3. Can not violate minimum refresh specification. (64ms)

Self Refresh Entry & Exit Cycle



□ : Don't care

***NOTE:**

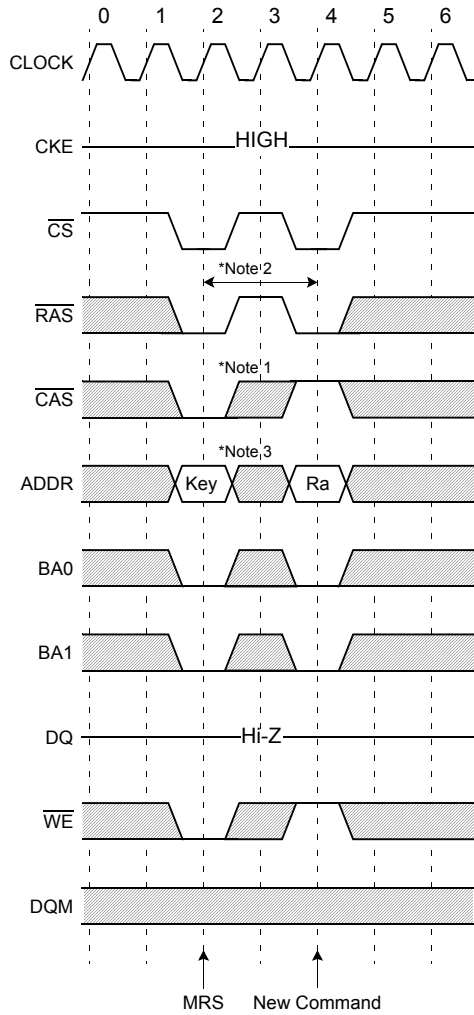
TO ENTER SELF REFRESH MODE

1. CS, RAS & CAS with CKE should be low at the same clock cycle.
2. After 1 clock cycle, all the inputs including the system clock can be don't care except for CKE.
3. The device remains in self refresh mode as long as CKE stays "Low".
cf.) Once the device enters self refresh mode, minimum tSR is required before exit from self refresh.

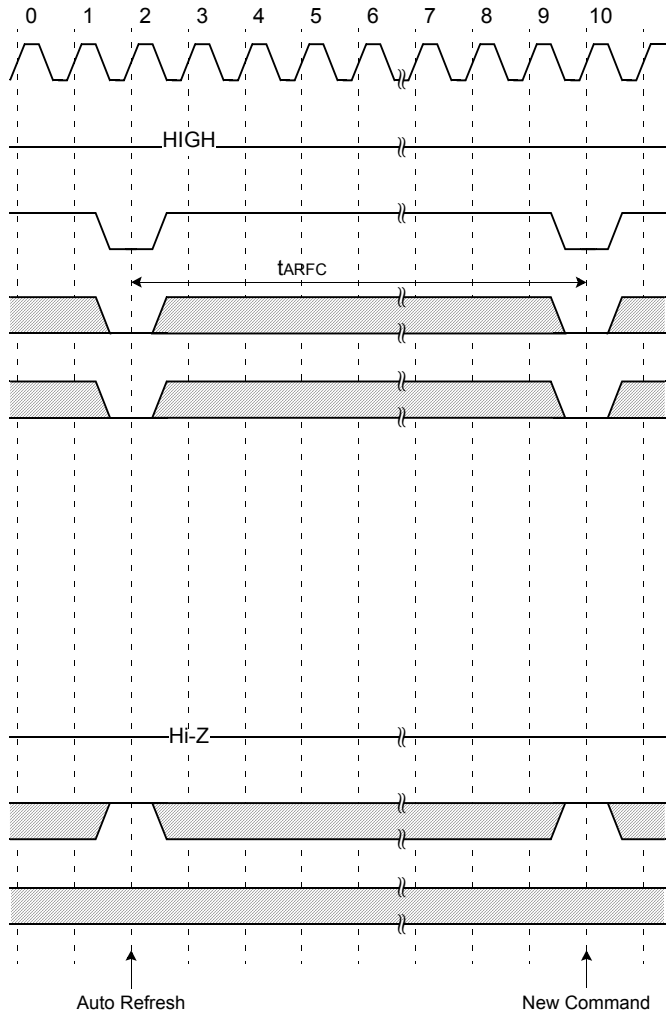
TO EXIT SELF REFRESH MODE

4. System clock restart and be stable before returning CKE high.
5. CS starts from high.
6. Minimum tSRFX is required after CKE going high to complete self refresh exit.
7. 4K cycle(64Mb, 128Mb) or 8K cycle(256Mb, 512Mb) of burst auto refresh is required before self refresh entry and after self refresh exit if the system uses burst refresh.


Mode Register Set Cycle



Auto Refresh Cycle



* All banks precharge should be completed before Mode Register Set cycle and auto refresh cycle.

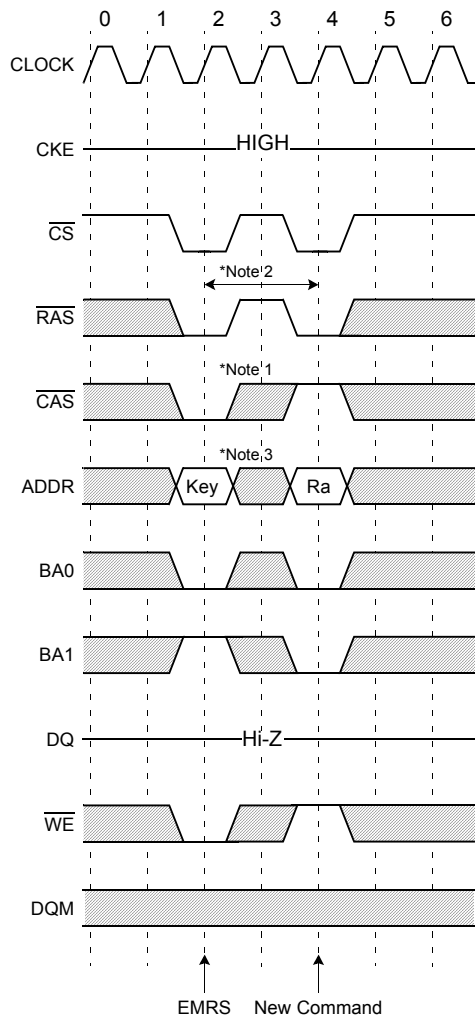
 : Don't care


*NOTE:

MODE REGISTER SET CYCLE

1. CS, RAS, CAS, BA0, BA1 & WE activation at the same clock cycle with address key will set internal mode register.
2. Minimum 2 clock cycles should be met before new \overline{RAS} activation.
3. Please refer to Mode Register Set table.

Extended Mode Register Set Cycle



 : Don't care

***NOTE:**

EXTENDED MODE REGISTER SET CYCLE

1. CS, RAS, CAS, BA0, BA1 & WE activation at the same clock cycle with address key will set internal mode register.
2. Minimum 2 clock cycles should be met before new RAS activation.
3. Please refer to Mode Register Set table.

